



Models EF11 / EF11D / EF11T

Emergency Lighting Fixtures for Remote Mounting

Industrial Emergency Lighting
Weather resistant

General Information

Weather resistant single, double or triple lighting head with fully adjustable swivel, all thermoplastic construction. Fixtures are rain and dust-tight as well as corrosion resistant.

Finish: Off-White, Black or Gray. Plastic Housing with aluminum round plate.

Mounting: Standard with round plate for mounting directly to 4" outlet box.

Lamps: All lamps must be specified in the part number when ordering.

EF11 series may use:

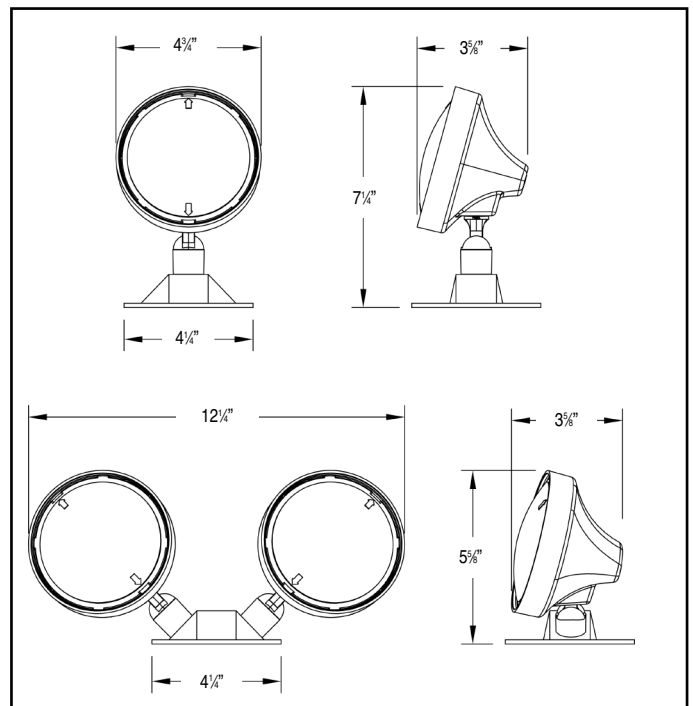
- Wedge base incandescent
- Bi-pin halogen
- PAR36 sealed Beam.

Standard Features

Lamp type(s), voltage and maximum wattage available for fixture are shown under lamp description. Determine lamp type, voltage and wattage required for your application, then select lamp from Lamp Chart in the Charts & Diagrams section. Do not exceed fixture wattage rating.

Include lamp suffix and voltage as suffix to model number.
VOLTAGE MUST BE STATED.

Outline and Dimensions



How to Order MODEL EXAMPLE

Series	Lamp Types / Wattage*	Colour
EF11 = Single	(ZD) = 6V - 9 watts	-WT = Off-white
EF11D = Double	(ZF) = 12V - 9 watts	-BK = Black
EF11T = Triple	(ZN) = 24V - 9 watts	-G = Gray
*Wattage double for "D" 2 lamps version.		