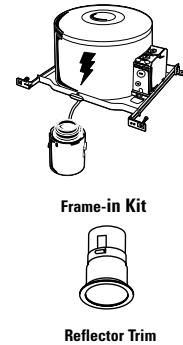
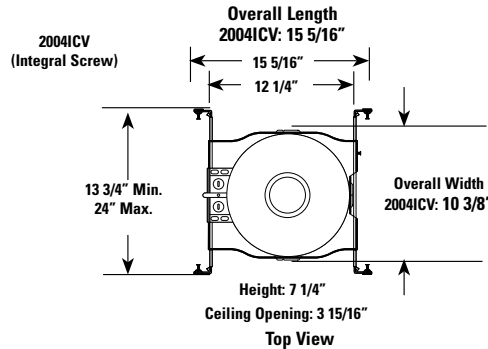
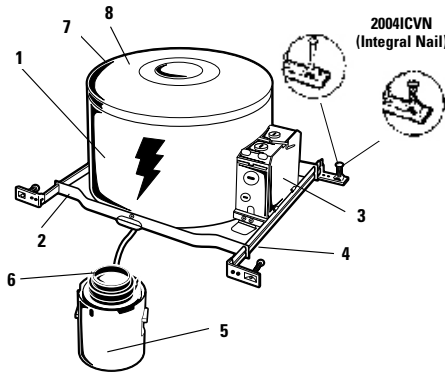


Lytecaster 3 3/4", Lytening, Low Voltage AirSeal Insulated Frame-In Kit

Project:	Catalog No:	Mfg:
Location:	Fixture Type:	Qty:
Notes:		Lamps:



3 3/4" Aperture: Complete Fixture consists of Reflector Trim & Frame-In Kit. Select each separately.

Frame-In Kit	Reflector Trims — See Individual Reflector Trim Specification Sheets							
	Open Downlight					Adjustable		Enclosed Diffuser
Aperture Cone	Satin Cone	Baffles	Slot	Pinhole	Mini Swivel	Eyeball		
2004ICV	2012	2013NM	2008	2005	2011	2025WH	2022LV	2090LV
2004ICVN	2012NM	2013WH	2010	2005NM				2026WH
	2013	2013WH	2008NM	2005WH				
	2013BKNM	2013WD	2010NM	2005BNM				
	2013BK	2013WDP						
	2013CD							
	2013CDNM							

Features

- Housing:** .032" (#20 ga.) aluminum. UL listed for direct contact with thermal insulation. AirSeal® housing minimizes air leak-age to less than 2 CFM at 1.57 PSF (or 75pa), which complies with Model Energy Code (Section 602.3.3) and Washington State Energy Code (Section 502.4) and reduces heat loss and condensation in ceiling. Access door for inspection of junction box.
- Mounting Frame:** .032 (#20 ga.) aluminum. Accommodates ceilings up to 1" thick. 3/8" deep integral lip. Locks into position along length of mounting bars with locking screw and bendable slot. Four slots are positioned 90° apart to simplify alignment. Push-in/twist-out roto-clips hold reflector flush to ceiling.
- Junction Box:** 2" X 4" X 3 1/2" (22 cu. in.) .032" (#22 ga.) galvanized steel. UL listed for maximum of 8 (#12 ga.) 1104IC and 6 (#12 ga.) 90°C through branch circuit conductors. Cable clamp permits attachment of non-metallic (#12 or #14 ga.) Romex® cable without tools or additional connectors.
- Mounting Bars:** .059" (#16 ga.) galvanized steel. Bars pivot for easy attachment and wire-in below ceiling line. Bars extend to accommodate 16" to 24" O.C. joist spacing. Bars can accommodate 12" O.C joist spacing after a slight field modification (see Instruction Sheet). 2004ICV features integral self tapping phillips screws for secure attachment to wood or metal construction. 2004ICVN features integral nails for secure attachment to wood. Both attach to T-bar ceilings without the need of accessories.
- Socket Housing:** Aluminum, with lamp adjustment assembly allows 35° max. vertical, 358° horizontal adjustment.
- Socket:** Field replaceable. Two pin socket, pre-wired with #18 SF1 leads to junction box.

Features (continued)

- Thermal Protector:** Meets NEC and UL requirements. Integral to transformer. Located inside housing.
- Transformer:** Mounted inside housing, magnetic. 120V primary, nominal 12V secondary. Removable from below.

Dimming

Dimming Controls: use only dimmers specifically designed for use with magnetic transformers, like Lightolier Onset® Sunrise® series LV or VA, dimmers, or any Lightolier Controls dimming systems. Low voltage fixtures may produce audible sound which may be objectionable in acoustically critical areas.

Options & Accessories

- Extra-Thick Ceiling** 1967C - up to 1 1/4" thick ceilings.
- Mounting Ring:**
- MR 16 Socket Replacement:** 1975B
- Socket for General Electric Turn and Lock (TAL) MR16 Lamp:** 1975TAL

Labels

UL (Type I.C., Suitable for Damp Location), I.B.E.W.

Complies with Air Leakage Requirements stated in the Model Energy Code and the Washington State Energy Code.
Romex® is a registered trademark of General Cable Industries Inc.