



FEATURES & SPECIFICATIONS

INTENDED USE — Provides a minimum of 90 minutes of illumination for the rated wattage upon loss of AC power. Ideal for applications requiring attractive unit equipment with quick installation.

CONSTRUCTION — White, compact, low-profile contemporary design. Engineering-grade thermoplastic housing is impact-resistant, scratch-resistant and corrosion-proof. UL94V-0 flame rating. UV-stable resin resists discoloration from natural and man-made light sources.

Two 9W wedge-based krypton lamps offer 80 percent more light output than standard 9W incandescent lamps. Patented, MR24, multi-faceted reflector significantly improves photometric performance – 48 percent more light delivered to path of egress.

Unique track-and-swivel arrangement permits full range of direction of lamp head adjustment. Ceiling mount standard. **US Patent No. D-532,918. Patent-pending Quick-Mount for simple installation.**

Tool-less access for maintenance. Rigid conduit entry on both top and side on ELM654, and top only on ELM627. Universal J-box mounting pattern.

Low-profile, integrated test switch/pilot light.

Battery: Sealed, maintenance-free lead-calcium battery standard. Automatic recharge after a 90-minute discharge. Single-circuit battery connection.

ELECTRICAL — Universal input voltage capability (120 through 277 volt, 50 or 60 Hz).

Current-limiting charger maximizes battery life and minimizes energy consumption. Provides low operating costs.

SHORT-CIRCUIT PROTECTION – CURRENT-LIMITING CHARGER CIRCUITRY PROTECTS PRINTED CIRCUIT BOARD FROM SHORTS.

Thermal protection senses circuitry temperature and adjusts charge current to prevent overheating and charge failure.

Thermal compensation adjusts charger output to provide optimum charge voltage relative to ambient temperature.

Regulated charge voltage maintains constant-charge voltage over a wide range of line voltages. Prevents over/under charging that shortens battery life and reduces capacity.

Filtered charger input minimizes charge voltage ripple and extends battery life.

AC/LVD reset allows battery connection before AC power is applied and prevents battery damage from deep discharge

Diagnostics: Single multi-color LED indicator to display two-state charging, test activation and three-state diagnostic status. Test switch provides manual activation of 30-second diagnostic testing for on-demand visual inspection. Self-diagnostic testing for five minutes every 30 days and 90 minutes annually. Diagnostic evaluation of LED light source, AC to DC transfer, charging and battery condition. Continuously monitors AC functionality. Load learning capability self-calibrates to DC load at first test, enabling it to detect a lamp failure on future tests. It may be recalibrated at any time by holding down the test switch for 15 seconds.

Wireless Reporting System: Data from self-diagnostics will be communicated via wireless transceivers within their vicinity, creating a self-configuring, self-healing, and self-optimizing wireless network that exchanges the data between FIDO compatible emergency lighting fixtures on an event driven-basis. **Must be ordered with FIDO edge router.**

Wireless communications electronics to operate 2.4GHz mesh network are enclosed entirely within the fixture.

INSTALLATION — Radio range is 500' between fixtures in most buildings. Actual performance may vary depending on application environment and electromagnetic interference. Substantially longer distances have been recorded in uninterrupted open air. Consult factory for more details.

Catalog Number
Notes
Type



Thermoplastic Emergency Light

ELM6 WRS



ELM627

FIDO COMPATIBLE
High Capacity Units
Lead-Calcium Battery



ELM654

LISTINGS — UL damp location listed (standard). Meets UL924, NFPA 101 (current Life Safety Code), NEC and OSHA illumination standards. Meets all applicable FCC requirements.

WARRANTY — 3-year limited warranty. Complete warranty terms located at www.acuitybrands.com/CustomerResources/Terms_and_conditions.aspx

Actual performance may differ as a result of end-user environment and application.

Note: Specifications subject to change without notice.

ORDERING INFORMATION

For shortest lead times, configure products using **bolded options**.

Example: ELM627 WRS

Series	Lamp type	Housing color	WRS Operation
ELM627 6V, 27W in small housing	(blank) 9W/6V krypton	(blank) White	WRS Dual voltage 120/277, lead calcium battery back up and self-diagnostic with FIDO wireless reporting system capability
ELM654 6V, 54W in large housing	H1206 12W/6V halogen	B Black	
	H2006 20W/6V halogen ¹		

Accessories: Order as separate catalog number.	
FIDO	Emergency wireless reporting system edge router (see FIDO specification for details)

Notes

1 Available in ELM654 only.

ELM6 WRS QUANTUM® Thermoplastic Emergency Light - FIDO Compatible

SPECIFICATIONS

ELECTRICAL

Primary Circuit

Type	AC Input			Output Volts	1-1/2hr.	Watts Output		
	Volts	Amps	Max Watts			2hrs.	3hrs.	4hrs.
ELM627	120	.10	5.2	6	27	20	13.5	10
	277	.04	5.6					
ELM654	120	.250	7.4	6	54	40.5	27	20
	277	.108	7.4					

BATTERY

Sealed Lead-Calcium

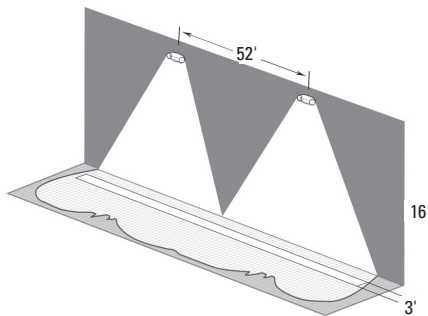
Voltage	Typical life ¹	Maintenance ²	Operating temperature ³
6	5-7 yrs.	none	50-104°F (10-40°C)

- At 77°F (25°C).
- All life safety equipment, including emergency lighting for path of egress, must be maintained, serviced and tested in accordance with all National Fire Protection Association (NFPA) and local codes. Failure to perform the required maintenance, service or testing could jeopardize the safety of occupants and will void all warranties.
- Optimum ambient temperature range where unit will provide capacity to 90 minutes. Higher and lower temperatures affect life and capacity. Consult factory for detailed information.

PERFORMANCE DIAGRAMS

ELM6 Halogen Performance Advantage

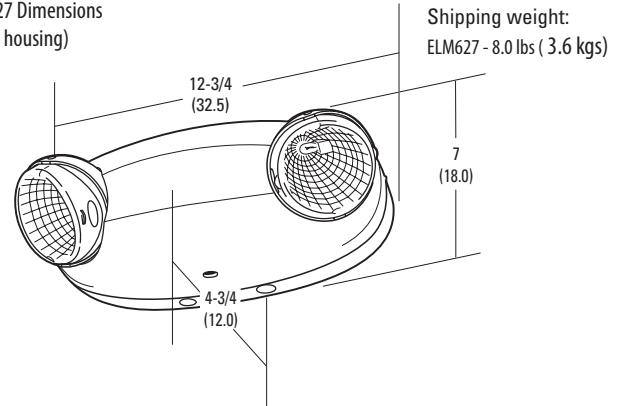
- 6-volt, 20-watt halogen lamp
- Higher mounting heights deliver 50+ feet center-to-center spacing
- 73% increase in center-to-center spacings over the highest wattage lamphead available from competitive emergency lighting units



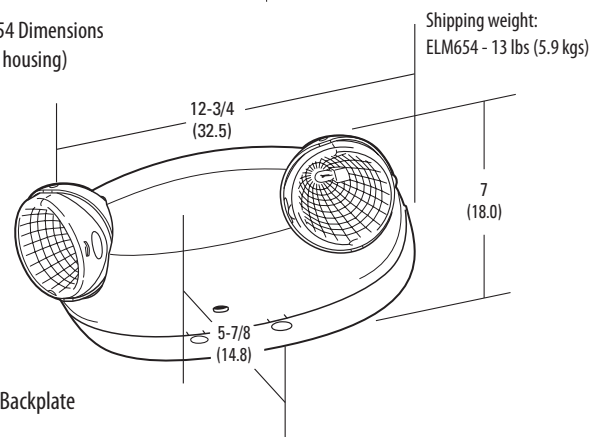
MOUNTING

All dimensions are inches (millimeters).

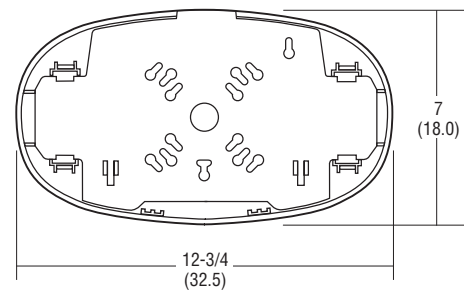
ELM627 Dimensions (small housing)



ELM654 Dimensions (large housing)



ELM6 Backplate



Recommended Center-to-Center Spacing

Lamps	Mtg Ht	7.5'	10'	12'	16'	20'
K0906		25'	31'	29'	27'	23'
H1206		N/A	29'	N/A	22'	N/A
H2006		N/A	35'	37'	52'	49'