

Series 100/200 Wire Management Solutions

SnapNrack Series 100/200 Wire Management Solutions comprise a set of dedicated components to reliably and cost effectively secure PV module and microinverter leads. SnapNrack Wire Retention Clips allow you to quickly secure PV conductor and AC trunk lines into the existing rail channels, while 4-Wire Clamps allow you to secure DC wire runs in and out of the rail channels and jumping between rails. The SnapNrack Junction Box provides a quick and easy installation and NEMA 4x rating, to conceal and protect electrical connections.

All components are made of materials which have been selected for their high UV exposure capability and ability to handle extreme rooftop temperatures common under solar arrays. Combining these with our Standard Rail channels will not only provide a high quality wire management solution, but will provide a faster installation as well.

Full Wire Management Solution Includes:

- Standard Rail Channel
- 4-Wire Clamp
- Wire Retention Clip
- Junction Box
- Trunk Cable Clamp



Features Include



Snap in Hardware



Single Tool Installation



No Cutting or Drilling

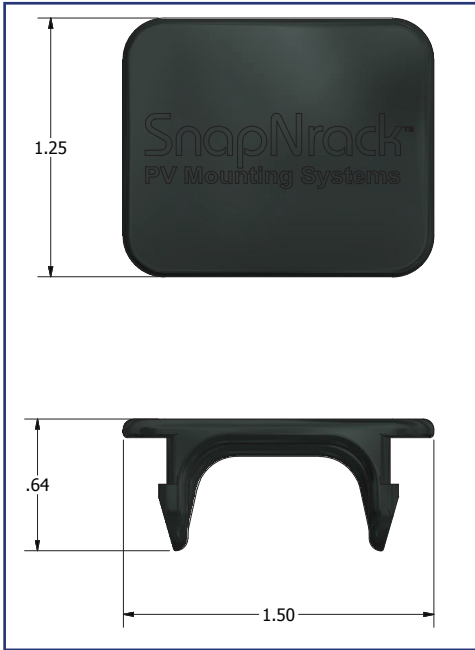


Integrated Wire Management

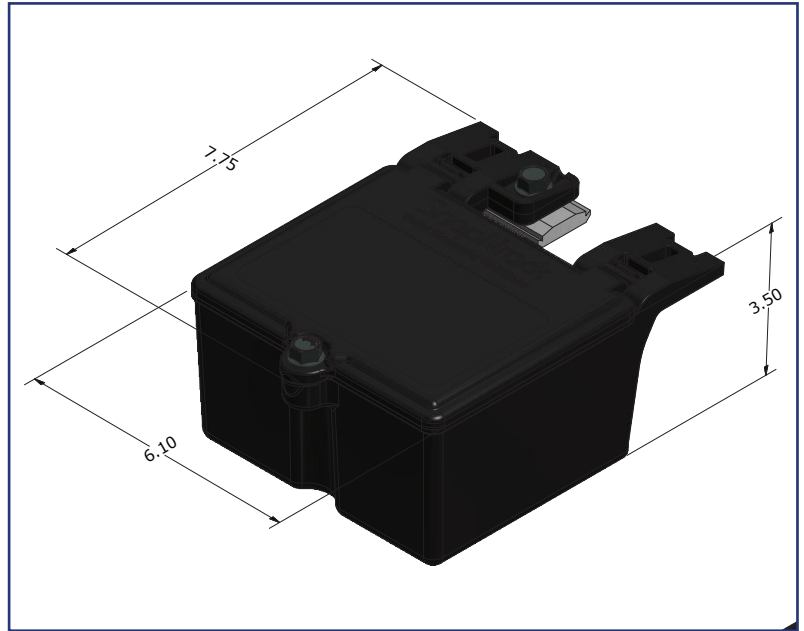


Preassembled hardware

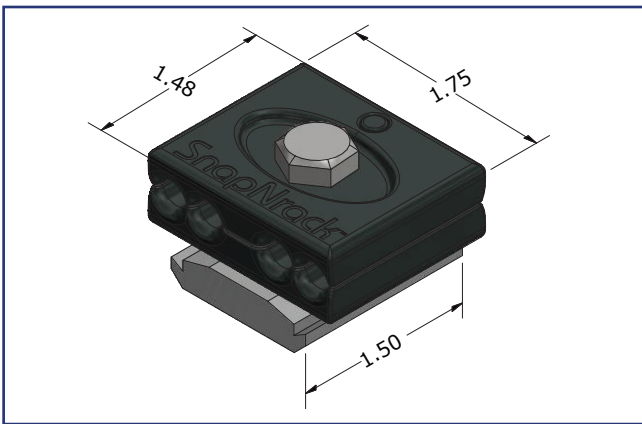
Wire Clip Dimensions



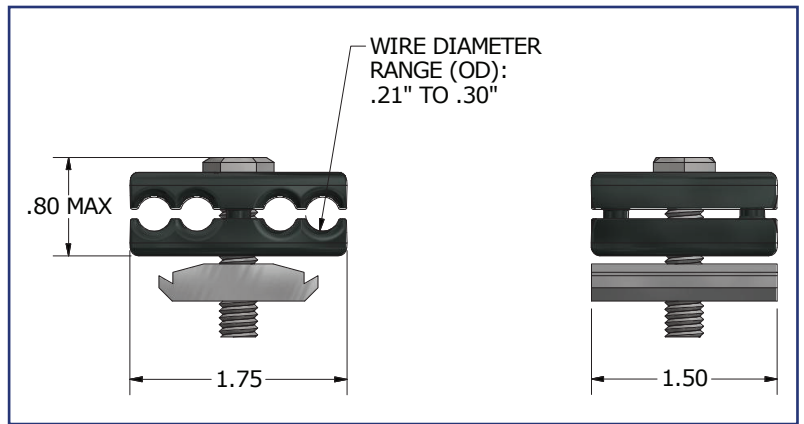
Junction Box Dimensions



Trunk Cable Clamp Dimensions



4-Wire Clamp Dimensions



WIRE MANAGEMENT TECHNICAL DATA

	Wire Retention Clip	4-Wire Clamp	Trunk Cable Clamp	Junction Box
Materials	UV-resistant polymer	<ul style="list-style-type: none"> UV-resistant polymer Aluminum and stainless steel 	Polycarbonate	<ul style="list-style-type: none"> Box: Polycarbonate Gasket: Rubber
Weight	0.01 lbs	0.12 lbs	0.136 lbs	1.161 lbs

Warranty

10 year limited product warranty; 5 year limited finish warranty