

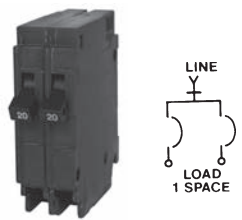
Circuit Breakers

Duplex, Triplex and Quadplex Plug-in Breakers

Duplex Circuit Breakers

Breaker Type	Ampere Rating	Catalog Number	Catalog Number
MH-T 1-Pole 10K AIC 120V AC	15-15	MP1515	MP1515N ^①
	15-20	MP1520	MP1520N ^①
	20-20	MP2020	MP2020N ^①
	20-30	MP2030	MP2030N ^①
	15-30	MP3015	MP3015N ^①
	30-30	MP3030	MP3030N ^①
SHIPPING: 12 per carton, (Wt. 4.8 lbs.)			

MH-T Duplex



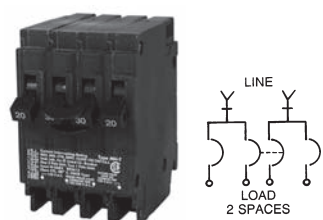
The image shows a physical MH-T Duplex breaker and its corresponding wiring diagram. The breaker is a compact, dark-colored unit with two poles. The wiring diagram shows a 'LINE' input at the top and a 'LOAD' output at the bottom, with a note indicating it occupies '1 SPACE'.

These space saver duplex breakers combine two independent 1/2" breaker poles in a common unit. This unit plugs into one load center stab and requires one panel space. HACR rated.

Triplex Circuit Breakers

Breaker Type	Ampere Rating		Catalog Number
	Single Pole	Common-Trip 2-Pole	
MH-T 2-Pole 10K AIC 120/240V AC Inner Poles Common Trip. Outer Poles 1 Pole Units	15	15	MP21515
	15	20	MP22015
	15	25	MP22515
	15	30	MP23015
	15	35	MP23515
	15	40	MP24015
	15	45	MP24515
	15	50	MP25015
	20	20	MP22020
	20	25	MP22520
	20	30	MP23020
	20	35	MP23520
	20	40	MP24020
	20	45	MP24520
	20	50	MP25020
	SHIPPING: 6 per carton, (Wt. 4.9 lbs.)		

MH-T Triplex



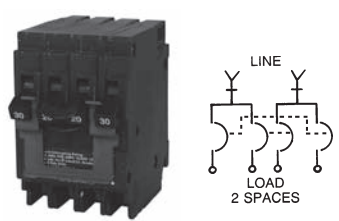
The image shows a physical MH-T Triplex breaker and its corresponding wiring diagram. The breaker is a dark-colored unit with three poles. The wiring diagram shows a 'LINE' input at the top and a 'LOAD' output at the bottom, with a note indicating it occupies '2 SPACES'.

These space saver triplex breakers provide a 2-pole common trip breaker for 120/240V AC circuits and two single poles for 120V AC circuits. Triplex require two panel spaces. HACR rated.

Quadplex Circuit Breakers

Breaker Type	Ampere Rating		Catalog Number
	Single Pole	Common-Trip 2-Pole	
MH-T 2-Pole 10K AIC 120/240V AC Outer and Inner 2 Poles Common Trip	15	15	MP215215CT2
	15	20	MP220220CT2
	20	30	MP220230CT2
	20	40	MP220240CT2
	30	30	MP230230CT2
	30	40	MP230240CT2
	40	40	MP240240CT2
	50	30	MP250230CT2
SHIPPING: 6 per carton, (Wt. 4.8 lbs.)			

MH-T Quadplex



The image shows a physical MH-T Quadplex breaker and its corresponding wiring diagram. The breaker is a dark-colored unit with four poles. The wiring diagram shows a 'LINE' input at the top and a 'LOAD' output at the bottom, with a note indicating it occupies '2 SPACES'.

These space saver quadplex breakers provide two sets of common trip, two-pole breakers for 120/240V AC circuits, and require two panel spaces. HACR rated.

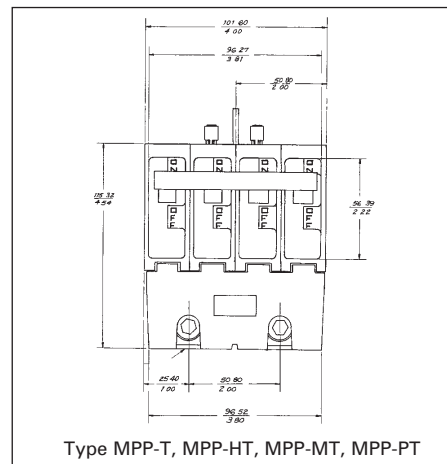
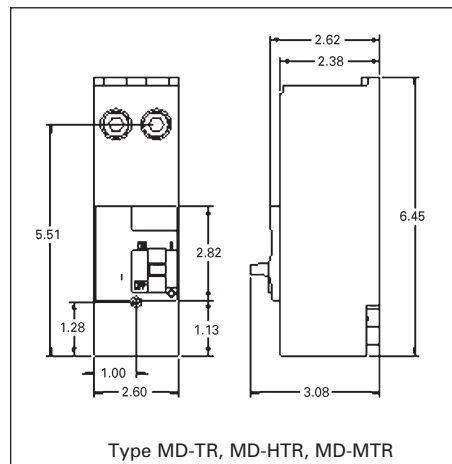
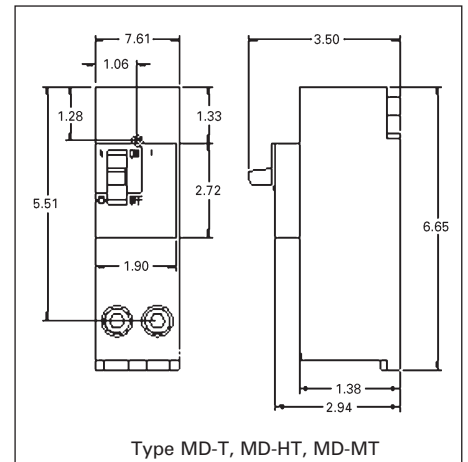
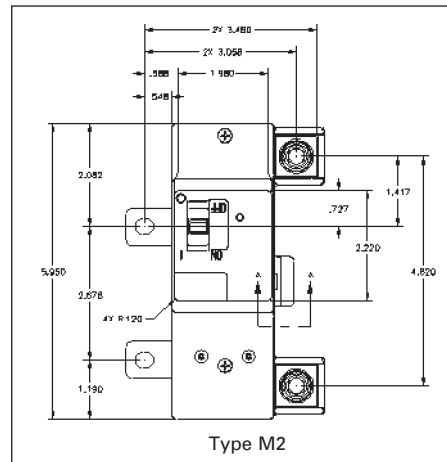
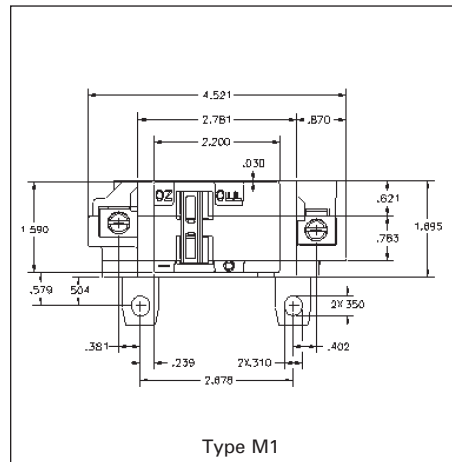
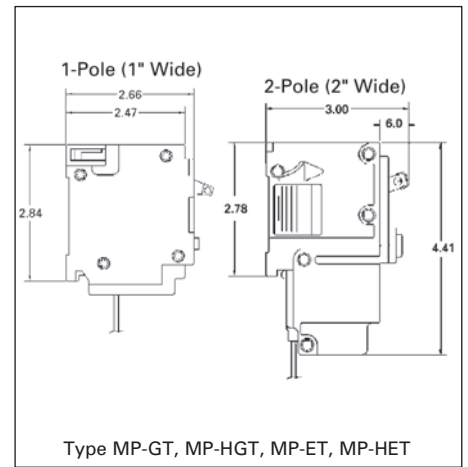
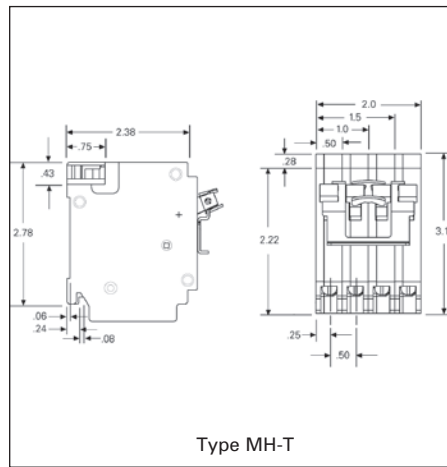
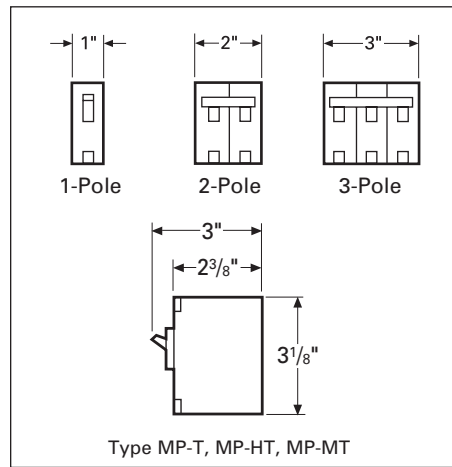
For external accessories please refer to page 3-20.

■ Built to order. Allow 2-3 weeks for delivery.

©Non-CTL. For replacement use only in panels manufactured before 1968.

Circuit Breakers

Line Diagrams



©All standard circuit breakers are calibrated to 40°C maximum ambient application.

Lug Data

Circuit Breaker Type	Circuit Breaker Ampere Rating	Cables Per Connector	Connector Wire Range
	LOAD SIDE		
MP-T, MP-HT, MP-MT	7	2	#18-#14 CU
	10	2	#16-#14 CU
	15-35	1 1	#14-#16 AWG Cu #14-#16 AWG Al
	40-50	1 1	#8-#6 AWG Cu #8-#4 AWG Al
	55-125	1 1	#8-#2/0 Cu #8-#2/0 Al
MH-T	15-35	1 1	#14-#8 AWG Cu #12-#8 AWG Al
	40	1	#8 AWG CU-AL
	40-50	1 1	#8-#6 AWG Cu #8-#4 AWG Al
MP-GT, MP-HGT, MP-ET, MP-HET BLF, BLHF, BLE, BLEH	15-30	1 1	#14-#10 AWG Cu #12-#8 AWG Al
	40-60	1 1	#8-#6 AWG Cu #8-#4 AWG Al
MP-AT, MP-HAT, BAF, BAFH	15-20	1 1	#14-#12 AWG Cu #12-#10 AWG Al
MSQ	15-20	2	#14-#8 AWG Cu Only
	15-20	1 1	#14-#12 AWG Cu #12-#10 AWG Al
	25-35	1 1	#10-#8 AWG Cu #10-#6 AWG Al
	40-60	1 1	#8-#6 AWG Cu #8-#4 AWG Al
MD-T, MD-HT, MD-MT, MD-PT, MD-TR, MD-HTR, MD-MTR, MD-PTR	150-200	1	#1-300kcmil Cu-Al
M1	100	1	#4-3/0 AWG Cu #4-3/0 AWG Al
		1	#4-3/0 AWG Cu #4-3/0 AWG Al
	125	1	#4-3/0 AWG Cu-Al
M2	150	1	#1-300kcmil Cu-Al
	200	1	#1-300kcmil Cu-Al
	225	1	#1-300kcmil Cu-Al
MPP-T, MPP-HT, MPP-MT, MPP-PT	125	1 1	#1 AWG Cu #2/0 AWG Al
	150	1 1	#1/0 AWG Cu #3/0 AWG Al
	175	1 1	#2/0 AWG Cu #4/0 AWG Al
	200	1 1	#3/0 AWG Cu 250kcmil AWG Al
	225	1 1	#4/0 AWG Cu 300kcmil AWG Al
MQ, MQH, MQL	60-225	1	#6-300kcmil Cu #4-300kcmil Al