

Type M3C Single-Insulator Disconnect Switch

- 15.5 and 27 kV max.
- 600 and 900 Amperes

Description and Application

The Type M3C single-insulator disconnect switch is fully rated for 600A or 900A. It is principally used for manual switching of overhead lines on distribution circuits up to 25 kV. The switch is easy to install using a crossarm mounting bracket in the same manner as a cutout.

M3C Switch Components

1. Terminal Pads (All)

Tin-plated high-conductivity copper, NEMA two-hole terminal pad. Parallel Groove connectors (Cat. No. ATC1343) and captive hardware are available as options.

2. Loadbreak Hooks

Hot-dipped galvanized steel hooks are provided as standard.

3. Disconnect Blade

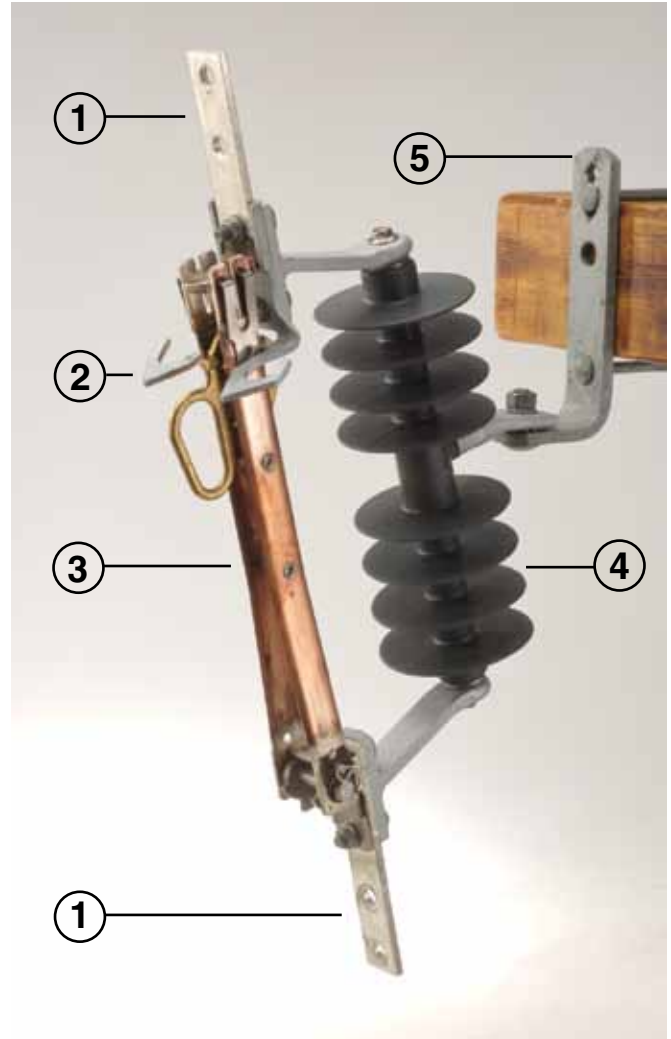
The disconnect blade is of the same construction as that used on the M3 Hookstick Disconnect Switch. The high-conductivity copper blade is silver-plated at all contact areas. Stainless-steel back-up springs are used to maintain efficient current transfer between the stationary contact and the end of the blade. See Catalog page 14B-2 for further description.

4. Insulator

ESP® silicon-alloy rubber, as used for the Type C-Polymer Cutout.

5. Pole Mounting Bracket

A standard pole mounting bracket, NEMA "B" bracket and extended bracket are available.



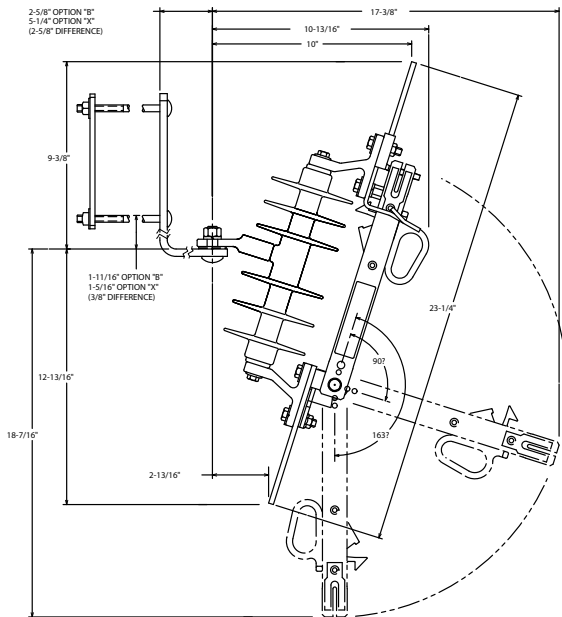
Specifications

- Nominal voltage ratings: 14.4 or 25 kV
- Lightning impulse peak withstand ratings: 110 or 125 kV LIW
- Continuous current rating: 600 or 900 amperes
- Short-time current withstand rating:
 - 600 Amp**
 - 25 kA symmetrical for 1 second
 - 65 kA peak
 - 900 Amp**
 - 25 kA symmetrical for 3 seconds
 - 65 kA peak

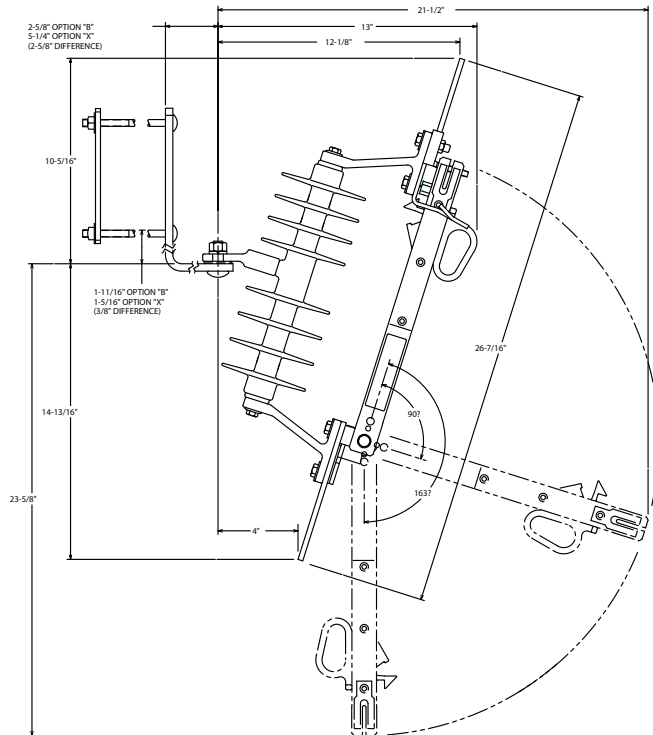
...continued on next page >>

Type M3C Single-Insulator Disconnect Switch

• 15.5 and 27 kV max. • 600 and 900 Amperes



15.5 kV max. (110 kV LIW)



27 kV max. (125 kV LIW)

Ordering Information — CATALOG NUMBER SYSTEM

M 3 C [] [] [] [] [] []

M3C SWITCH

Type M3 Switch live parts
Type C-Polymer Cutout insulator

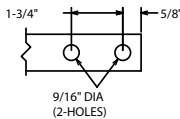
OPTIONS

- B = NEMA "B" Mounting Bracket**
For crossarm (1½" bolt)
- C = Captive Hardware***
Consists of 4 each: ½" 13 stainless steel bolts, ½" flatwasher / lockwasher, ½" 13 bronze nut
- D = "D" Mounting Bracket**
D-shape bracket for pole mount
- P = Parallel Groove Terminals***
(Cat. No. ACT1343, 2 per switch)
Two complete connectors and hardware. Accepts #2 - 500 kcmil (Copper or Aluminum)
- X = Extended Mounting Bracket**
For crossarm, horizontal section is 2⅝" longer than Type B bracket

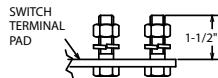
SWITCH RATING
15 = 15.5 kV max. (110 kV LIW)
25 = 27 kV max. (125 kV LIW)

CURRENT RATING
6 = 600 Amp
9 = 900 Amp with 25 kV only

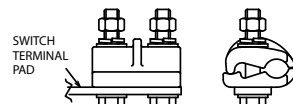
*NOTE: Captive Hardware and Parallel Groove Terminals **CANNOT** be ordered together.



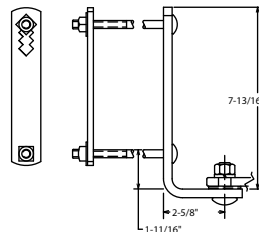
TERMINAL PADS DETAIL



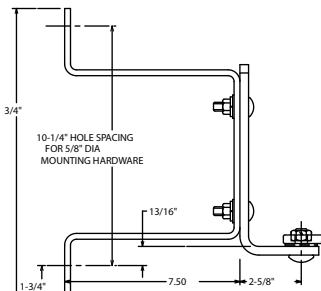
OPTION "C" CAPTIVE HARDWARE
CONSIST OF 4 EACH: 1/2" STAINLESS STEEL BOLTS, LOCKWASHERS, & NUTS



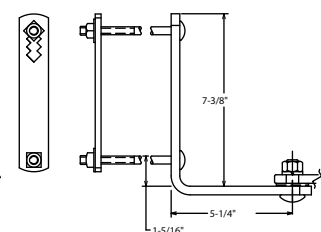
OPTION "P" PARALLEL GROOVE TERMINALS
CONSIST OF 2 EACH: CONNECTORS & HARDWARE FOR #2-500 KCMIL COPPER OR ALUMINUM CONDUCTOR



OPTION "B" NEMA "B" BRACKET



OPTION "D" "D" BRACKET



OPTION "X" EXTENDED BRACKET