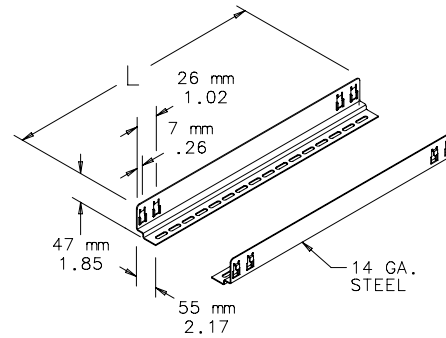


GUIDES **A-T-O**


Equipment Guides help support rack-mounted equipment during installation. Guides mount between two pairs of rack angles. Slotted holes are provided for vertical or lateral adjustment. Furnished in pairs. Guides have plated finish. Mounting hardware included. Can be installed on 19-in. or 24-in. rack angles. *Rack accessories that are shorter than the enclosure depth can be mounted to rack angles or frame accessory brackets attached to grid straps. Order these items separately.*

BULLETIN: P20


87415141

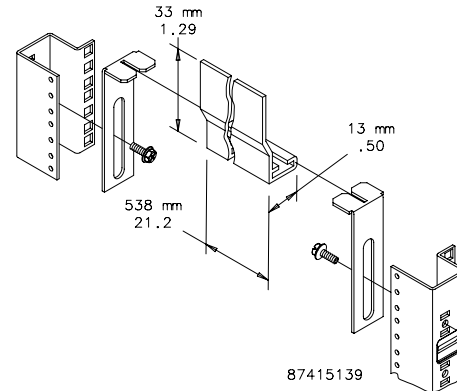
Catalog Number	L (mm)	L (in.)	Frame Depth (mm)	Frame Depth (in.)
PG4	217	8.54	400	15.75
PG5	317	12.48	500	19.68
PG6	417	16.42	600	23.62
PG7	517	20.35	700	27.56
PG8	617	24.29	800	31.49
PG9	717	28.23	900	35.43

FILLER PANEL FOR RACK ANGLES **A-T-O**

Filler Panels are used to completely fill 19-in. rack mounting spaces at top and bottom of PROLINE™ door opening. Extruded aluminum Filler Panels are furnished in pairs and include mounting hardware.

BULLETIN: P20

Catalog Number	Description
PFP19RA	Filler Panel for Rack Angles



87415139

SCREW PACKAGE

Twenty plated screws are included in each package. Screws attach rack panels to rack mounting angles. Available in 10-32, 12-24, M5 and M6.

BULLETIN: A80, DACCY, X20

Catalog Number	Description	Pkg. Qty.
AS1032	10-32 x .75	20
ES1224	12-24 x .5	20
ASM5	Metric M5 x 20	20
ASM6	Metric M6 x 16	20
ASM6250	Metric M6 x 16	250

CAGE NUT PACKAGE

Twenty plated cage nuts are included in each package. Available in 10-32, 12-24, M5 and M6, these cage nuts fit all PROLINE™ rack angles with square holes.

BULLETIN: DACCY, P20

Catalog Number	Description	Pkg. Qty.
P1032CN	10-32 thread	20
P1224CN	12-24 thread	20
PM5CN	Metric M5 thread	20
PM6CN	Metric M6 thread	20