

FEATURES & SPECIFICATIONS

INTENDED USE — The FS Series recessed LED luminaire combines modern aesthetics and performance in a general lighting product that enables the transformation from fluorescent to LED. The high efficacy light engine delivers long life and excellent color to ensure a quality lighting installation. Integrated controls options provide for design flexibility and optimum energy savings. Multiple lumen packages and driver options provide solutions for all your lighting applications. **Certain airborne contaminants can diminish integrity of acrylic. [Click here for Acrylic Environmental Compatibility table for suitable uses.](#)**

CONSTRUCTION — Rugged, one-piece cold-rolled steel coated polyester, painted after fabrication. The satin white lens provides excellent shielding and wide distribution. End plates include integral T-bar clips. Fixture may be mounted and wired in continuous rows. Total fixture height is only 4-3/8".

ELECTRICAL — Long-life LEDs, coupled with high-efficiency drivers, provide superior illumination for extended service life. 90% LED lumen maintenance at 60,000 hours (L90/60,000).

eldoLED driver options deliver choice of dimming range, and choices for control, while assuring flicker-free, low-current inrush, 89% efficiency and low EMI.

Optional integrated nLight® controls make each luminaire addressable - allowing it to digitally communicate with other nLight enabled controls such as dimmers, switches, occupancy sensors and photocontrols. Simply connect all the nLight enabled control devices and the FSL luminaires using standard CAT-5 cabling. Unique plug-and-play convenience allows devices and luminaires to automatically discover each other and self-commission.

Lumen Management: Unique lumen management system (option N80) provides onboard intelligence that actively manages the LED light source so that constant lumen output is maintained over the system life, preventing the energy waste created by the traditional practice of over-lighting.

Step-level dimming option allows system to be switched to 50% power for compliance with common energy codes while maintaining fixture appearance.

Driver disconnect provided where required to comply with US and Canadian codes.

INSTALLATION — Unique grid interfacing arrangement provides mounting into standard 1" and 9/16" tee bar or screw slot grids. 9/16" allows fixture trim to hang level with architectural ceiling tiles. Drywall ceiling adaptors available. Suitable for damp location.

LISTINGS — CSA certified to meet US and Canadian standards. IC rated. DesignLights Consortium® (DLC) qualified product. Not all versions of this product may be DLC qualified. Please check the DLC Qualified Products List at www.designlights.org/QPL to confirm which versions are qualified.

WARRANTY — 5-year limited warranty. Complete warranty terms located at www.acuitybrands.com/CustomerResources/Terms_and_conditions.aspx

Note: Actual performance may differ as a result of end-user environment and application. All values are design or typical values, measured under laboratory conditions at 25 °C. Specifications subject to change without notice.

Catalog Number
Notes
Type

FS Series

2FSL2

2' x 2'
LED



eldoLED



Stock Configurations
2FSL2 33L EZ1 LP835
2FSL2 33L EZ1 LP840

CSA+ Capable Luminaire

This item is an A+ capable luminaire, which has been designed and tested to provide consistent color appearance and out-of-the-box control compatibility with simple commissioning.

- All configurations of this luminaire meet the Acuity Brands' specification for chromatic consistency
- This luminaire is part of an A+ Certified solution for nLight® control networks when ordered with drivers marked by a **shaded background***
- This luminaire is part of an A+ Certified solution for nLight control networks, providing advanced control functionality at the luminaire level, when selection includes driver and control options marked by a **shaded background***

To learn more about A+, visit www.acuitybrands.com/aplus.

*See ordering tree for details

2FSL2 LED Recessed Lighting 2'x2'



A+ Capable options indicated by this color background.

ORDERING INFORMATION

Lead times will vary depending on options selected. Consult with your sales representative.

Example: 2FSL2 20L EZ1 LP835 N100

2FSL2		Air function		Lumens		Lens		Voltage		Driver		Color temperature		Controls ⁵		Options					
2FSL2	2X2 FSL	(blank)	Static	20L	2000 ¹	(blank)	Satin white	(blank)	MVOLT	EZ1	eldoLED dims to 1%, 0-10V	LP830	3000 K	(blank)	No controls	EL7L	700 lumen battery pack (non-CEC compliant)				
				33L	3300 ¹							LP835	3500 K					N80	nlight [®] with 80% lumen management	EL14L	1400 lumen battery pack (non-CEC compliant)
				40L	4000 ¹							LP840	4000 K								
		H	Heat removal	EZOEMG	eldoLED dims to black, 0-10V	LP850	5000 K	N80EMG	nlight [®] with 80% lumen management. For use with generator supply EM power.			E10WLCP	EM Self-Diagnostic battery pack, 10W Constant Power, CEC compliant								
																		EZOEMG	eldoLED DALI ³	N100	nlight [®] without lumen management
		EZOEMG	eldoLED DMX/RDM ³			N100EMG	nlight [®] without lumen management. For use with generator supply EM power.														
												EZOEMG	Step-level dimming ^{3,4}					CP	Chicago plenum		
		EZOEMG	Dims to 1%, XPoint wireless enabled			PWS1836	6' prewire, 3/8" diameter, 18-gauge, 1-circuit														
												EZOEMG	Dims to dark, XPoint wireless enabled					PWS1846	6' prewire, 3/8" diameter, 18-gauge, 2-circuit		
		EZOEMG	On/Off (non-dim)			RRL_	RELOC [®] -ready luminaire ⁶														
EZOEMG										NPLT	Narrow pallet										

Accessories: Order as separate catalog number.

2FS2 F916	Trim to adjust fixture mounting flush with 9/16" T-bar; for 2x2 fixture
DGA22 FS/VT	Drywall ceiling adaptor, unit installation

Notes

- 1 Approximate lumen output.
- 2 Consult factory for availability. Not available with SLD, EL7L, or EL14L.
- 3 Not available with N80, N80EMG, N100 or N100EMG.
- 4 When using prewire option, use PWS1846.
- 5 nIO access limitations with 20L or EZB.
- 6 For ordering logic consult: [RRL_2013](#).

2FSL2 LED Recessed Lighting 2'x2'

Performance Data			
Lumen package	Lumens	Input watts	LPW
20L LP830	2182	17.8	123
20L LP835	2273	17.8	128
20L LP840	2340	17.8	131
20L LP850	2485	17.8	139
33L LP830	3535	29.9	118
33L LP835	3776	30.1	125
33L LP840	3863	30.2	128
33L LP850	4090	30.4	135
40L LP830	4109	36.3	113
40L LP835	4397	36.5	121
40L LP840	4484	36.6	122
40L LP850	4796	36.6	131

How to Calculate Delivered Lumens in Emergency Mode

Use the formula below to determine the delivered lumens in emergency mode

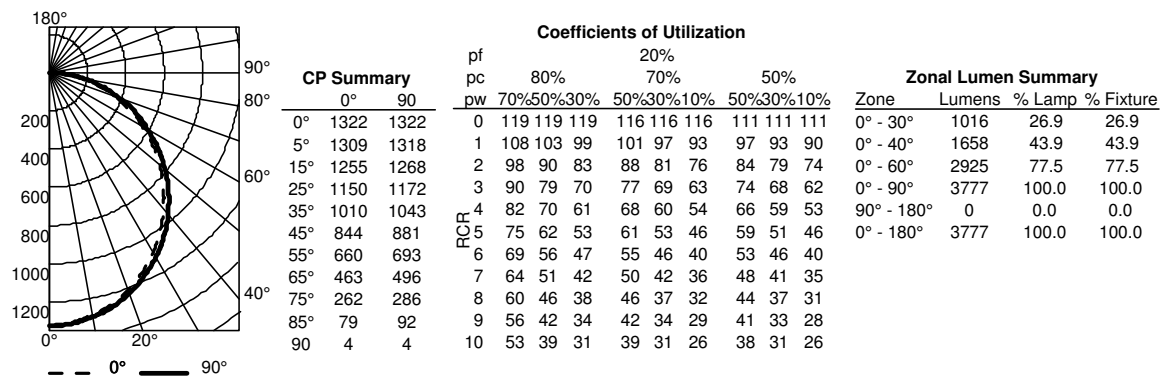
$$\text{Delivered Lumens} = 1.25 \times P \times \text{LPW}$$

P = Output power of emergency driver. P = 10W for E10WLCP option.

LPW = Lumen per watt rating of the luminaire. This information is available on the ABL luminaire spec sheet. LPW = Lumen per watt rating of the luminaire. LPW information available in Performance Data section.

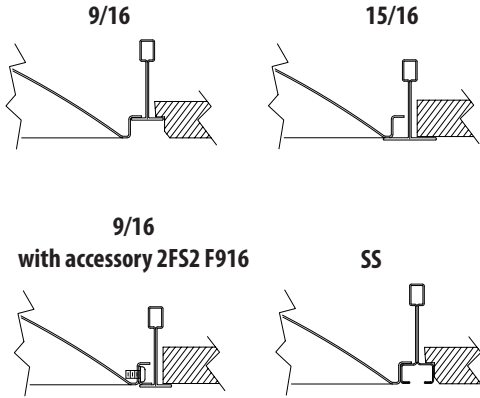
PHOTOMETRICS

2FSL2 33L LP835, test no. LTL24691P109, tested in accordance to IESNA LM-79



2FSL2 LED Recessed Lighting 2'x2'

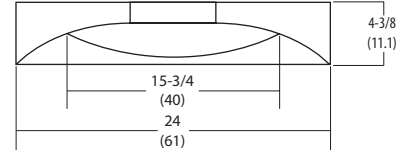
MOUNTING DATA



DIMENSIONS

All dimensions are inches (centimeters) unless otherwise specified.

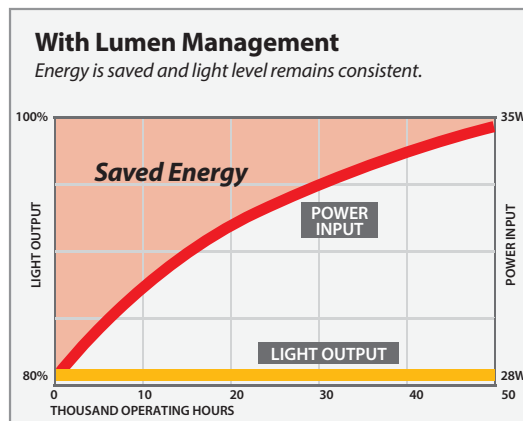
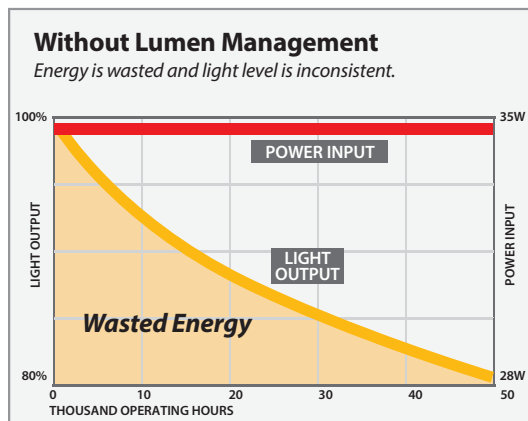
Specifications
 Length: 24 (61.0)
 Width: 24 (61.0)
 Depth: 4-3/8 (11.1)



nLight® Control Accessories: Order as separate catalog number. Visit www.sensorswitch.com/nLight for complete listing of nLight controls.			
WallPod stations	Model number	Occupancy sensors	Model number
On/Off	nPODM [color]	Small motion 360°, ceiling (PIR / dual tech)	nCM 9 / nCM PDT 9
On/Off & Raise/Lower	nPODM DX [color]	Large motion 360°, ceiling (PIR / dual tech)	nCM 10 / nCM PDT 10
Graphic Touchscreen	nPOD GFX [color]	Wide view (PIR / dual tech)	nWV 16 / nWV PDT 16
Photocell controls	Model number	Wall Switch w/ Raise/Lower (PIR / dual tech)	nWSX LV DX / nWSX PDT LV DX
On/Off & Dimming	nCM ADCX	Cat-5 cable (plenum rated)	Model number
		10', CAT5 10FT	CAT5 10FT J1
		15', CAT5 15FT	CAT5 15FT J1

Constant Lumen Management

Enabled by the embedded nLight control, the FSL actively tracks its run-time and manages its light source such that constant lumen output is maintained over the system life. Referred to as lumen management, this feature eliminates the energy waste created by the traditional practice of over-lighting.



Notes

With nLight 80% lumen management input watts start at 28 and gradually increasing to 35 at 50,000 hrs when using 33L system.