

XJ-L™ HD Busway System

XJ-L HD Busway Introduction

Competitive Advantages

XJ-L HD Busway is available up to 400A. First introduced in 1960, XJ-L Busway continues to be the leading power distribution solution for demanding applications that require reliable, high quality power. XJ-L HD Busway is the optimal choice for both contractors and users concerned with designing superior electrical systems that require a high plug density and optimal space utilization.

Competitive advantages:

- Compact size – small cross section for applications where busway routing is constrained
- Joint Connection – dual spring clamp assemblies ensure reliable, maintenance-free joints
- Safety – plug-in outlets are IP2X finger safe (optional XOC outlet covers increase system to IP40)
- Reliability – fundamental design has a 60 year history of reliability
- Service – simple snap together installation, maintenance free joints, factory stock of critical components and large distribution inventory of bus plugs ensure quick and easy serviceability
- Fittings – elbow, tee, crosses, flanged end, and tap boxes are offered in standard and custom configurations
- Compatibility – the full range of XJ-L HD bus plugs are interchangeable between 100A, 225A and 400A busway



Key features:

- Up to twelve 100A bus plugs can be installed per 10' of plug-in busway. Plug-in busway can be configured with six plug-in openings per side (standard) or twelve on one side (high density).
- Bus plugs are readily installed on energized busway and are fully interchangeable between 100, 225 and 400A configurations.
- Bus plugs are available with fusible or circuit breaker disconnects, configured with a wide variety of optional receptacles, branch circuit breakers, drop cords, power monitoring, indicator lights, etc.
- Bus bars are solid copper (98% conductivity) and tin plated for superior electrical performance and corrosion resistance (optional silver plating is also available). The solid bus bar design provides superior short circuit strength (up to 35 kA) compared to channel style conductors and cable.
- Totally enclosed steel housing is robust, guarding against incidental contact and contamination of live parts. Enclosed box design will not twist or distort during bus plug installation.
- Installation is fast and easy. Joint connections simply snap together without special tools, housing couplers, or bus connectors.
- Suitable for horizontal and vertical mounting and under-the floor applications.

XJ-L™ HD Busway System

XJ-L HD Busway Overview

XJ-L HD Busway

XJ-L HD Busway is well known for its outstanding performance, providing convenient, cost-effective power distribution for high-tech environments, data centers, laboratories, and other applications requiring consistent, quality power distribution. Key XJ-L HD design features include optional isolated ground or 200% neutral across entire product range. For maximum availability, XJ-L HD Busway is maintained as a stock product to meet your quickship requirements.

As a result, XJ-L HD Busway is an intelligent choice for contractors and users concerned with designing superior electrical distribution systems. The compact design is ideal for limited working areas in computer manufacturing, laboratory or test facilities, schools, hospitals, and machine shops.

With XJ-L HD Busway, you get an exclusive, optional isolated ground design that ensures clean power. Unlike bonded ground designs that may convey surges from one electrical device to another, the XJ-L HD optional isolated ground system is well suited for high-tech computer intensive environments. The ground bar is the same size as the phase bars, with the same ampere rating. Installation is easy, joining one XJ-L HD Busway section to another is as simple as matching ends and snapping them together. Bus bars are held securely in place by spring pressure clips located in the joint insulator.

The joint is secured when the external housing plate is attached with captive screws. Thanks to built-in flexibility and a low initial cost, you also benefit from future savings when you need new equipment.

Time to add on busway for new or expanded facilities? The XJ-L Busway you installed years ago matches the XJ-L HD Busway you specify today and years from now the new busway sections, components or system-compatible bus plugs will still fit.

Dependability

With over one million feet in service, XJ-L HD Busway has a proven track record. The busway joints are easy to install and maintenance free. Solid copper bus bars and totally enclosed steel housings are designed for decades of dependable service.

Flexibility

Siemens XJ-L HD Busway is available in a wide variety of straight lengths, elbows, tees, crosses, and tap boxes that can be installed and then readily expanded or reconfigured to meet changing requirements. Custom fittings and straight lengths can be engineered to tailor the busway system to application-specific customer requirements. Bus Plugs can be installed, then relocated as required without de-energizing the busway. All XJ-L HD Bus Plugs are fully interchangeable with all XJ-L HD Busway configurations.

Cost

Siemens XJ-L HD Busway offers a lower cost solution, compared to cable and conduit, sandwich style busway or even light duty track busway. Snap together installation requires no special tools and is fast, easy and maintenance free. Solid, highly conductive bus bars minimize electrical losses and ensure long-term energy savings.

Equipment protection

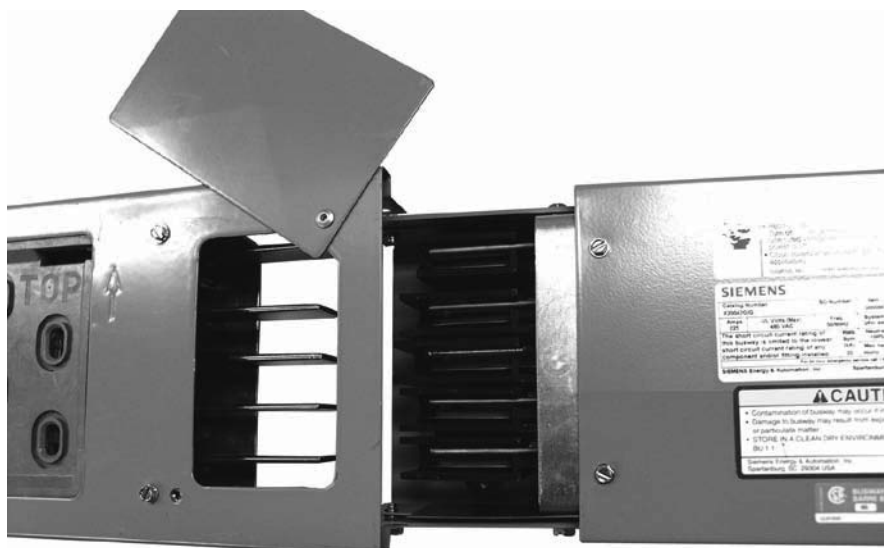
Critical equipment is protected via fuse or circuit breaker plugs. Due to their proximity, the plugs provide a localized method of protection and disconnection.

Space

Space in critical power/data center facilities is at a premium. XJ-L HD Busway requires less space than conventional power distribution methods such as cable and conduit.

Availability

XJ-L HD Busway and plugs are stocked to meet your quick-ship requirements. Once you factor in all the advantages, XJ-L HD is clearly the best choice for reliable, flexible, and economical power distribution for data centers, light industrial, and high tech applications.



XJ-L™ HD Busway System

XJ-L HD Busway Specifications

XJ-L HD Busway is available in 100A, 225A and 400A ratings making it the right choice for light industrial and commercial applications where low initial startup and maintenance costs are pre-requisites. XJ-L HD Busway is the most logical choice for high tech, data intensive environments, especially when isolated ground is required.

Housing

XJ-L HD Busway features a totally enclosed, non-ventilated, steel housing. The housing is covered with an electrostatically applied polyester urethane powder paint. Choice of colors: ASA#61 Gray or Graphite Gray. The paint is scratch resistant and has a 500 hour salt spray rating.

Conductors

The conductors are fabricated from 98% conductivity copper. The bars are "spaced-in-air" and held securely in the housing by the plug-in outlets and joints.

Neutral

100% neutral is available for standard 4 wire applications. A second neutral bar can be added for 200% neutral capacity.

Note: the 200% neutral bar can be utilized as Isolated Ground.

The internal ground bus is 100% rated for 100A, 60% rated for 225A, and 50% for 400A busway. Isolated ground is rated at 100% for both amperages.

Plating

The entire length of the bus bar is tin plated to ensure good electrical contact at all joint and plug tap-off points. The plating also serves to protect the bars from corrosion. Optional silver plating is available.

Plug-in base

XJ-L HD Busway features multiple plug-in locations. The plastic, non-tracking outlets are located on 20 inch centers and support the bus bars providing bracing during short circuit conditions. The plug-in outlets are IP2X (finger safe). Optional plug-in base covers (XOC) are available separately or they can be factory installed.

Joint connection

Busway sections are connected via a maintenance-free, spring pressure joint. The busway ends are easily aligned and bus bar ends are held securely in place by spring pressure clips located in the joint insulator. The housings are connected via external housing plates and captive screws.



Bus plugs

There are twelve plug-in outlets on each 10 foot (3.048 m) section, six openings on 5 foot (1.524 m) sections and two outlets on 2 foot (.616 m) sections. Bus plugs are available with amperages ranging from 15A to 200A. Bus plugs feature circuit breakers or fusible switch disconnects.

Testing

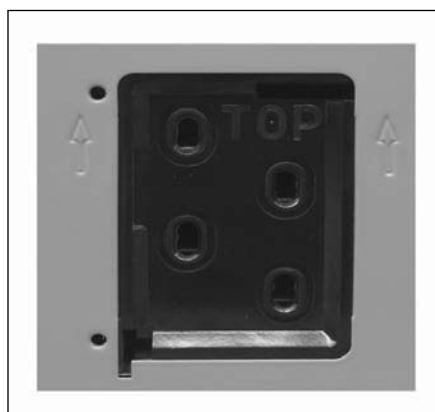
Each piece of XJ-L HD Busway is factory tested prior to shipment. A dielectric test is performed to ensure product integrity. XJ-L HD Busway is manufactured and inspected in accordance to an ISO 9001 registered Quality Management System.

Standards

XJ-L HD Busway products meet the following standards:
UL 857
NEMA BU1
CSA C22.2

Ratings

Amperage: 100A, 225A and 400A
Voltage: 600 VAC max
Short circuit: 100A – 10kAIC
225A – 22kAIC
400A – 35kAIC



R,X,Z and voltage drop

Ampere rating	Bus bar width x .125 in. (3.2 mm) thick	Ohm x 10-3 per 100 ft. Line to neutral			Voltage drop – concentrated loads, line-to-line per 100 ft. at 100% rated load, 35°C ambient power factor							
		R	X	Z	0.3	0.4	0.5	0.6	0.7	0.8	0.9	1.0
100	0.50 (13.0)	1.67	8.71	1.88	2.30	2.54	2.75	2.94	3.10	3.21	3.25	2.89
225	1.00 (25.4)	8.20	4.08	9.16	2.48	2.74	2.98	3.19	3.37	3.51	3.57	3.20
400	2.13 (54.1)	4.27	3.01	5.23	2.88	3.10	3.29	3.44	3.56	3.62	3.57	2.96

XJ-L™ HD Busway System

Straight Sections

Plug-in section

Prefix	Type	Fitting Type			Amp	Configuration	Color	Plug-in Busway Only		
		1	2	0				Plug-In Location	Plug-In Spacing	
BW	J	P	1	2	0	1	6	G	L	2
XJ-L HD	↑	↑	Length: 024 = 24 inches 060 = 60 inches 120 = 120 inches			1 = 100 2 = 225 4 = 400	1 = 3Ø 2 = 3Ø + Internal Grd 3 = 3Ø + Isolated Grd 4 = 3Ø + Internal Grd + Isolated Grd 5 = 3Ø + Neutral 6 = 3Ø + Neutral + Internal Grd 7 = 3Ø + Neutral + Isolated Grd 8 = 3Ø + Neutral + Internal Grd + Isolated Grd 9 = 3Ø + 200% Neutral 0 = 3Ø + 200% Neutral + Internal Ground	A = Graphite G = ANSI 61 X = Other	L = Left Side Only R = Right Side Only S = Dual Side	1 = 20" Dual Side ^① 2 = 9.75" Single Side ^② X = Other ^③
Plug-in	↑	↑	Notes: ① Use for Plug-in Length = "S" ② Use for Plug-in Length = "L" or "R" ③ Other custom spacing must be pre-approved							

Plug-in sections

Available in 10 foot (3.048 m), 5 foot (1.524 m) or 2 foot (.616 m) standard plug-in lengths, XJ-L HD Busway offers layout flexibility to meet custom requirements. Plug-in busway can be configured with six plug-in openings per side or twelve on one side.

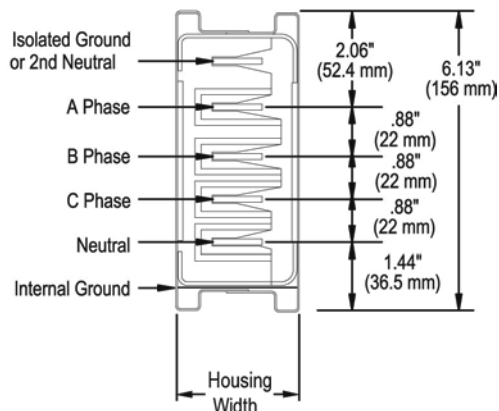
Feeder Section

Prefix	Type	Fitting Type			Amp	Configuration	Color	
		1	2	0				
BW	J	F	1	2	0	1	6	G
XJ-L HD	↑	↑	Length in inches, Ex. 2' 3" = 024 Feeder lengths available from 16" (016) up to 10' 0" (120)			1 = 100 2 = 225 4 = 400	1 = 3Ø 2 = 3Ø + Internal Grd 3 = 3Ø + Isolated Grd 4 = 3Ø + Internal Grd + Isolated Grd 5 = 3Ø + Neutral 6 = 3Ø + Neutral + Internal Grd 7 = 3Ø + Neutral + Isolated Grd 8 = 3Ø + Neutral + Internal Grd + Isolated Grd 9 = 3Ø + 200% Neutral 0 = 3Ø + 200% Neutral + Internal Ground	A = Graphite G = ANSI 61 X = Other
Feeder	↑	↑						

Feeder Sections

Feeder busway carries the current of the busway system from the supply source. Feeder busway does not have plug-in outlets. Feeder busway is available in custom lengths from 16.00 in (406mm) to 120.00 in (3048mm). Feeder sections are available as Indoor.

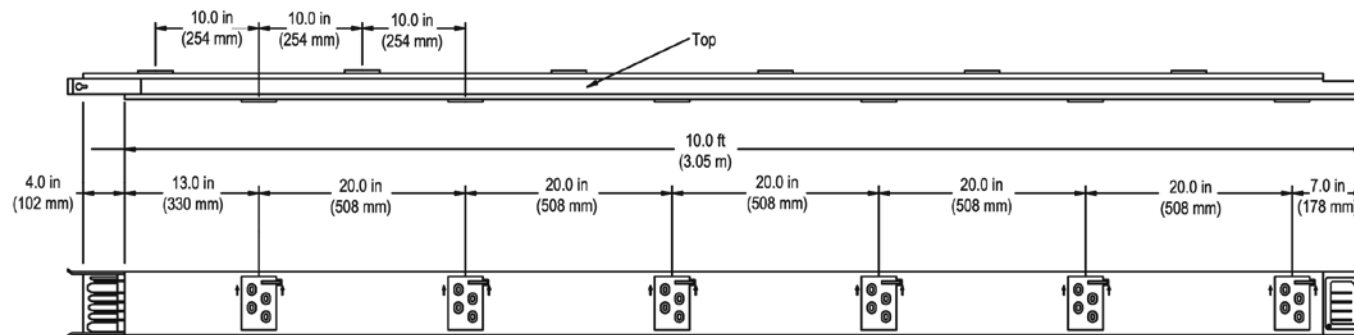
XJ-L HD Busway also features an exclusive rotating cover plate to facilitate inspection of the joints. The light weight design of the busway and plugs makes the installation of XJ-L HD Busway quick and trouble-free.



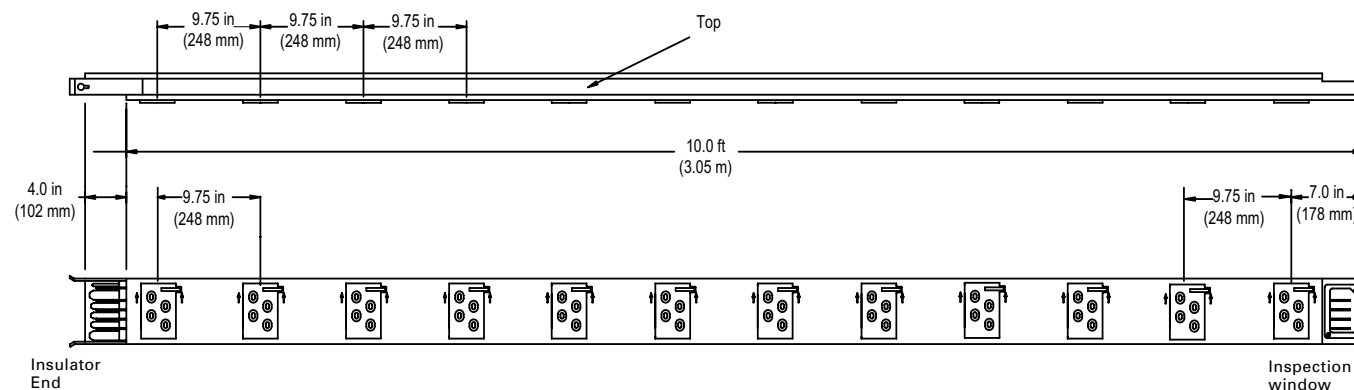
XJ-L™ HD Busway System

Straight Sections

Plug-in Section (Dual Side)



Plug-in Section (Single Side-Right hand configuration shown)



Plug-in Section

Ampere Rating	Bus Bar Material	Bar Thickness	Bar Width	Housing Width	Housing Height	Max Voltage	Short Circuit Rating	Length Ft (M)	3 Pole			4 Pole		
									Catalog Number	Model Number ^①	Wgt. (lb)	Catalog Number	Model Number ^①	Wgt. (lb)
100	Copper	.125 (3.2)	.5 (13)	2.0 (51)	6.13 (156)	600V	10kA	10.0 (3.05)	XC1003	BWJP12011GS1	42	XC1004	BWJP12015GS1	45
100	Copper	.125 (3.2)	.5 (13)	2.0 (51)	6.13 (156)	600V	10kA	5.0 (1.52)	XC10035	BWJP06011GS1	21	XC10045	BWJP06015GS1	23
100	Copper	.125 (3.2)	.5 (13)	2.0 (51)	6.13 (156)	600V	10kA	2.0 (.61)	XC10032	BWJP02411GS1	8	XC10042	BWJP02415GS1	9
225	Copper	.125 (3.2)	1.0 (25)	2.5 (64)	6.13 (156)	600V	22kA	10.0 (3.05)	X2003	BWJP12021GS1	56	X2004	BWJP12025GS1	62
225	Copper	.125 (3.2)	1.0 (25)	2.5 (64)	6.13 (156)	600V	22kA	5.0 (1.52)	X20035	BWJP06021GS1	28	X20045	BWJP06025GS1	30
225	Copper	.125 (3.2)	1.0 (25)	2.5 (64)	6.13 (156)	600V	22kA	2.0 (.61)	X20032	BWJP02421GS1	10	X20042	BWJP02425GS1	12
400	Copper	.125 (3.2)	2.12 (54)	3.6 (92)	6.13 (156)	600V	35kA	10.0 (3.05)	X4003	BWJP12041GS1	69	X4004	BWJP12045GS1	79
400	Copper	.125 (3.2)	2.12 (54)	3.6 (92)	6.13 (156)	600V	35kA	5.0 (1.52)	X40035	BWJP06041GS1	35	X40045	BWJP06045GS1	40
400	Copper	.125 (3.2)	2.12 (54)	3.6 (92)	6.13 (156)	600V	35kA	2.0 (.61)	X40032	BWJP02441GS1	15	X40042	BWJP02445GS1	17

① Model Numbers Effective Aug 2011

Feeder Section

Ampere Rating	Bus Bar Material	Bar Thickness	Bar Width	Housing Width	Housing Height	Max Voltage	Short Circuit Rating	Length In. (mm)	3 Pole			4 Pole		
									10' Catalog Number	10' Model Number ^①	Wgt. (lb/ft)	10' Catalog Number	10' Model Number ^①	Wgt. (lb/ft)
100	Copper	.125 (3.2)	.5 (13)	2.0 (51)	6.13 (156)	600V	10kA	16.0-120.0 (406 - 3048)	XC1003-Spec	BWJF12011GS1	4.2	XC1004-Spec	BWJF12015GS1	4.5
225	Copper	.125 (3.2)	1.0 (26)	2.5 (64)	6.13 (156)	600V	22kA		X2003-Spec	BWJF12021GS1	5.6	X2004-Spec	BWJF12025GS1	6.2
400	Copper	.125 (3.2)	2.12 (54)	3.6 (92)	6.13 (156)	600V	35kA		X4003-Spec	BWJF12041GS1	6.9	X4004-Spec	BWJF12045GS1	7.9

① Model Numbers Effective Aug 2011

XJ-L™ HD Busway System

Elbows

Fittings

Prefix	Type	Fitting Type				Amp	Configuration	Color
BW	J	E	L	E	L	1	7	A
		E = Edge L = Left F = Flat R = Right				1 = 100 2 = 225 4 = 400	1 = 3Ø 2 = 3Ø + Internal Grd 3 = 3Ø + Isolated Grd 4 = 3Ø + Internal Grd + Isolated Grd 5 = 3Ø + Neutral 6 = 3Ø + Neutral + Internal Grd 7 = 3Ø + Neutral + Isolated Grd 8 = 3Ø + Neutral + Internal Grd + Isolated Grd 9 = 3Ø + 200% Neutral 0 = 3Ø + 200% Neutral + Internal Ground	A = Graphite G = ANSI 61 X = Other

Flat elbows

Right hand or left hand XJ-L HD Busway system 90 degree flat elbows are available. When specifying be sure to use the proper catalog number suffix to identify the required fitting.

Flat Elbow

Ampere Rating	Poles	Catalog Number	Model Number ^①	Catalog Number	Model Number ^①
100	3	XC1003L1	BWJELFR11G	XC1003L3	BWJELFL11G
100	4	XC1004L1	BWJELFR15G	XC1004L3	BWJELFL15G
225	3	X2003L1	BWJELFR21G	X2003L3	BWJELFL21G
225	4	X2004L1	BWJELFR25G	X2004L3	BWJELFL25G
400	3	X4003L1	BWJELFR41G	X4003L3	BWJELFL41G
400	4	X4004L1	BWJELFR45G	X4004L3	BWJELFL45G

① Model Numbers Effective Aug 2011

Edge elbows

Right hand or left hand XJ-L HD Busway system 90 degree edge elbows are available. When specifying, be sure to use the proper catalog number suffix to identify the required fitting.

Edge Elbow

Ampere Rating	Poles	Catalog Number	Model Number ^①	Catalog Number	Model Number ^①
100	3	XC1003L2	BWJELER11G	XC1003L4	BWJELEL11G
100	4	XC1004L2	BWJELER15G	XC1004L4	BWJELEL15G
225	3	X2003L2	BWJELER21G	X2003L4	BWJELEL21G
225	4	X2004L2	BWJELER25G	X2004L4	BWJELEL25G
400	3	X4003L2	BWJELER41G	X4003L4	BWJELEL41G
400	4	X4004L2	BWJELER45G	X4004L4	BWJELEL45G

① Model Numbers Effective Aug 2011

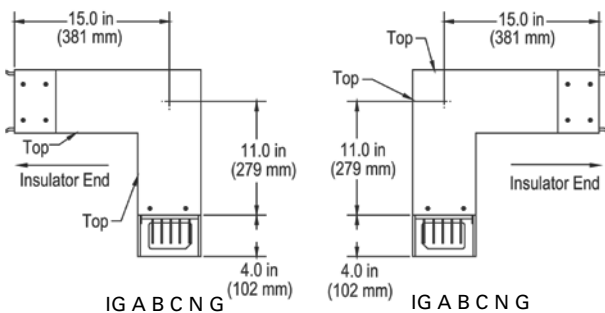
Flat right elbow shown

Insulator end



Left Elbow (-3)

Flat Right Elbow (-1)



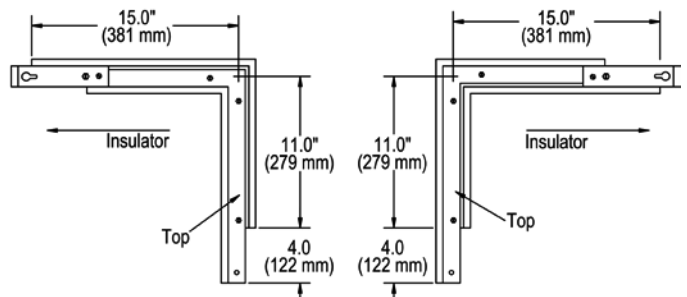
Edge right elbow shown

IG
A
B
C
N
G

Insulator end

Left Elbow (-4)

Right Elbow (-2)



XJ-L™ HD Busway System

Tees and Crosses

Fittings

Prefix	Type	Fitting Type				Amp	Configuration	Color
BW	J	C	R	E	2	1	7	A
XJ-L HD		C	R	E = Edge	2	1 = 100 2 = 225 4 = 400	1 = 3Ø 2 = 3Ø + Internal Grd 3 = 3Ø + Isolated Grd 4 = 3Ø + Internal Grd + Isolated Grd 5 = 3Ø + Neutral 6 = 3Ø + Neutral + Internal Grd 7 = 3Ø + Neutral + Isolated Grd 8 = 3Ø + Neutral + Internal Grd + Isolated Grd 9 = 3Ø + 200% Neutral 0 = 3Ø + 200% Neutral + Internal Ground	A = Graphite G = ANSI 61 X = Other

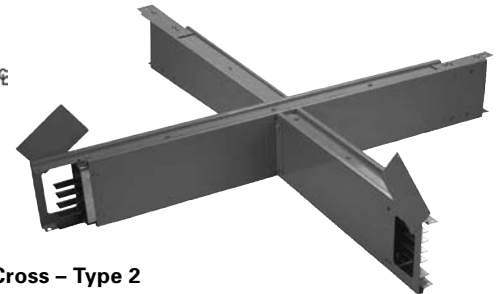
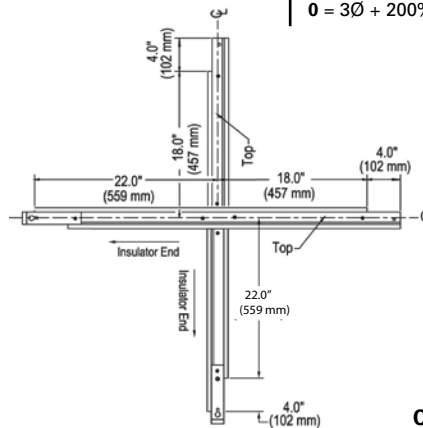
Cross

Crosses are fittings used to interconnect two busway runs which are located at right angle to each other.

Cross

Ampere Rating	Poles	Catalog Number	Model Number ^①
100	3	X1003CR2	BWJCRE211G
100	4	XC1003CR2	BWJCRE215G
225	3	X2003CR2	BWJCRE221G
225	4	X2004CR2	BWJCRE225G
400	3	X4003CR2	BWJCRE241G
400	4	X4004CR2	BWJCRE245G

© Model Numbers Effective Aug 2011



Cross - Type 2

Fittings

Prefix	Type	Fitting Type				Amp	Configuration	Color
BW	J	T	E	E	2	1	7	A
XJ-L HD		T	E	E = Edge	2,4	1 = 100 2 = 225 4 = 400	1 = 3Ø 2 = 3Ø + Internal Grd 3 = 3Ø + Isolated Grd 4 = 3Ø + Internal Grd + Isolated Grd 5 = 3Ø + Neutral 6 = 3Ø + Neutral + Internal Grd 7 = 3Ø + Neutral + Isolated Grd 8 = 3Ø + Neutral + Internal Grd + Isolated Grd 9 = 3Ø + 200% Neutral 0 = 3Ø + 200% Neutral + Internal Ground	A = Graphite G = ANSI 61 X = Other

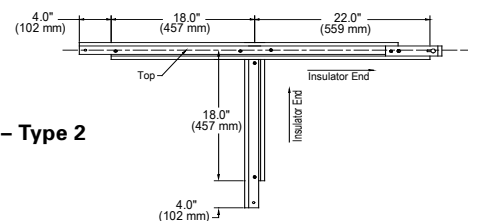
Tee

Tees permit a second run of busway to extend at right angles to a straight busway run.

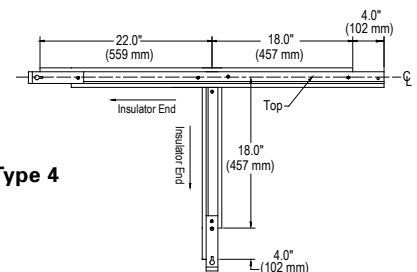
Tees

Ampere Rating	Poles	Catalog Number	Model Number ^①	Catalog Number	Model Number ^①
100	3	XC1003T2	BWJTEE211G	XC1003T4	BWJTEE411G
100	4	XC1004T2	BWJTEE215G	XC1004T4	BWJTEE415G
225	3	X2003T2	BWJTEE221G	X2003T4	BWJTEE421G
225	4	X2004T2	BWJTEE225G	X2004T4	BWJTEE425G
400	3	X4003T2	BWJTEE241G	X4003T4	BWJTEE441G
400	4	X4004T2	BWJTEE245G	X4004T4	BWJTEE445G

© Model Numbers Effective Aug 2011



Tee - Type 2



Tee - Type 4

Right Hand Shown



XJ-L™ HD Busway System

Tap Boxes

Center Tap Boxes

Center Tap Boxes							Tap Box Only ^②				
Prefix	Type	Fitting Type			Amp	Config.	Color	Tap Box Steel	Lug opt.	Meter	Meter Surface
BW	J	C	T	L	N	2	4	A	S	1	N
		L = Left (rear) R = Right (front)			1 = 100 2 = 225 4 = 400		A = Graphite G = ANSI 61 X = Other	S = Standard X = Custom / Other	N = None 1 = PAC3200 2 = PAC3100 X = Other	N = None / NA L = Left R = Right (Inspection Cover Side) X = Other	
Notes: ① Use X for Tap Box Steel ② Not required for Flanged End. Leave fields blank							1 = 3Ø 2 = 3Ø + Internal Grd 3 = 3Ø + Isolated Grd 4 = 3Ø + Internal Grd + Isolated Grd 5 = 3Ø + Neutral 6 = 3Ø + Neutral + Internal Grd 7 = 3Ø + Neutral + Isolated Grd 8 = 3Ø + Neutral + Internal Grd + Isolated Grd 9 = 3Ø + 200% Neutral 0 = 3Ø + 200% Neutral + Internal Ground				

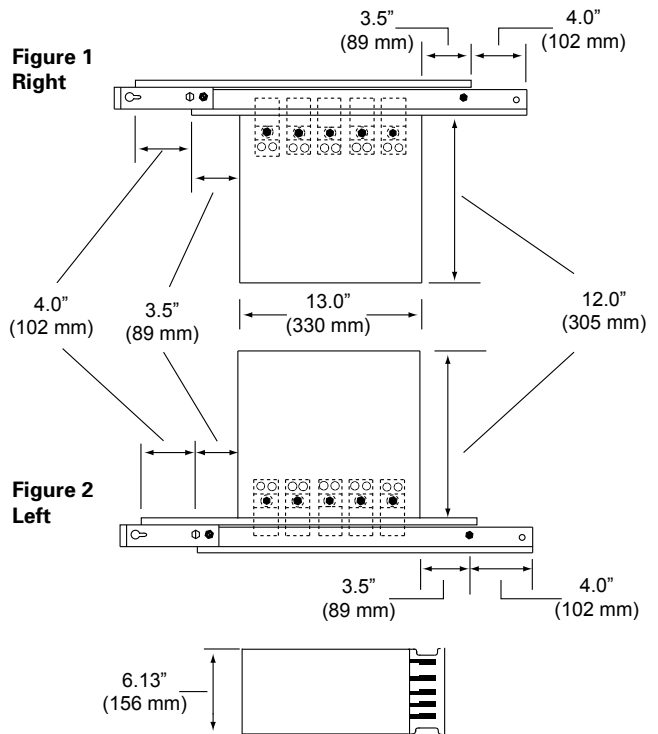
Center Cable Tap Box

Center tap boxes are non-fusible devices utilized to feed to or take off power from the busway run. When loads served by the busway run do not require over-current protection, center tap boxes may be used. If the application requires additional wiring bending space, extended center tap boxes are available. Center tap boxes are an actual part of the busway run and require a space of 32 in. (810 mm) for installation.

BUSWAY SYSTEMS 15



Right Hand Shown



Center Tap Box

Ampere Rating	Poles	Catalog Number Front Connected Fig 1	Model Number ^① Right Connected Fig 1	Catalog Number Rear Connected Fig 2	Model Number ^① Left Connected Fig 2	Terminals Provided Qty/Pole and Size Cu/Al wire
225	3	X2003M	BWJCTRN21GSANN	X2003M	BWJCTLN21GSANN	(1) 350MCM - #6
225	4	X2004M	BWJCTRN25GSANN	X2004M	BWJCTLN25GSANN	(1) 350MCM - #6
400	3	X4003M1	BWJCTRN41GSANN	X4003M2	BWJCTLN41GSANN	(2) 350MCM - #6
400	4	X4004M1	BWJCTRN45GSANN	X4004M2	BWJCTLN45GSANN	(2) 350MCM - #6

© Model Numbers Effective Aug 2011

XJ-L™ HD Busway Systems

Tap Boxes

End Tap Boxes

Prefix	Type	Fitting Type				Amp	Config.	Color	Tap Box Only ^②			
BW	J	E	T	B	R	2	4	A	S	A	1	R
XJ-L HD	↑	E	T	B	R	1 = 100 2 = 225 4 = 400		A = Graphite G = ANSI 61 X = Other	S = Standard X = Custom / Other	N = None 1 = PAC3200 2 = PAC3100 X = Other	N = None / NA L = Left R = Right (Inspection Cover Side) X = Other	
End Tap Box												

Notes:
 ① Use X for Tap Box Steel
 ② Not required for Flanged End. Leave fields blank

1 = 3Ø
 2 = 3Ø + Internal Grd
 3 = 3Ø + Isolated Grd
 4 = 3Ø + Internal Grd + Isolated Grd
 5 = 3Ø + Neutral
 6 = 3Ø + Neutral + Internal Grd
 7 = 3Ø + Neutral + Isolated Grd
 8 = 3Ø + Neutral + Internal Grd + Isolated Grd
 9 = 3Ø + 200% Neutral
 0 = 3Ø + 200% Neutral + Internal Ground

A = Std Mech Lug
 B = 1.75 Dual Hole (No Lug)
 X = Custom / Other^①
 D = Extended Box with 500MCM Mechanical

End Tap Box

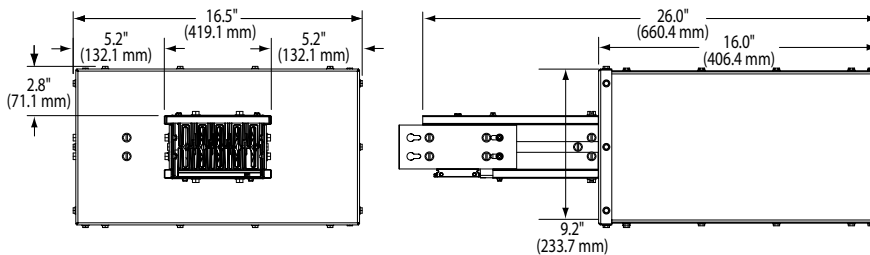
End tap boxes are devices used to connect cable and conduit to the end of a busway run or where busway runs connect without the need for over-current protection. End tap boxes may be installed at the end or beginning of a run.

Tap boxes can be configured with surge protection and current monitoring devices.

End Tap Box

Ampere Rating	Poles	Catalog Number	Model Number ^①	Terminals Provided Qty/Pole and Size Cu/Al wire
100	3	X1003ETVB	BWJETBR11GS	(1) 1/0 - #14
100	4	X1004ETVB	BWJETBR15GS	(1) 1/0 - #14
225	3	X2003ETVB	BWJETBR21GS	(1) 350MCM - #6
225	4	X2004ETVB	BWJETBR25GS	(1) 350MCM - #6
400	3	X4003ETVB	BWJETBR41GS	(2) 350MCM - #6
400	4	X4004ETVB	BWJETBR45GS	(2) 350MCM - #6

© Model Numbers Effective Aug 2011



Right Hand Shown

XJ-L™ HD Busway System

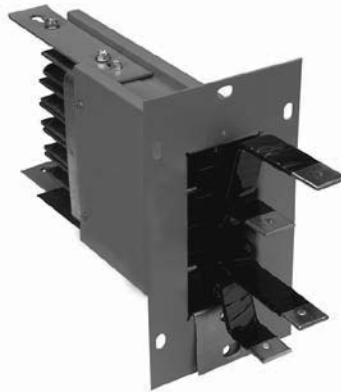
Flanged Ends

Flanged End

Prefix	Type	Fitting Type				Amp	Config.	Color
BW	J	F	R	N	N	2	4	A
XJ-L HD		E = Std.	R = Nema	N	N	1 = 100 2 = 225 4 = 400	1 = 3Ø 2 = 3Ø + Internal Grd 3 = 3Ø + Isolated Grd 4 = 3Ø + Internal Grd + Isolated Grd 5 = 3Ø + Neutral 6 = 3Ø + Neutral + Internal Grd 7 = 3Ø + Neutral + Isolated Grd 8 = 3Ø + Neutral + Internal Grd + Isolated Grd 9 = 3Ø + 200% Neutral 0 = 3Ø + 200% Neutral + Internal Ground	A = Graphite G = ANSI 61 X = Other
Flanged End		X = Other	N	N				

Flanged end

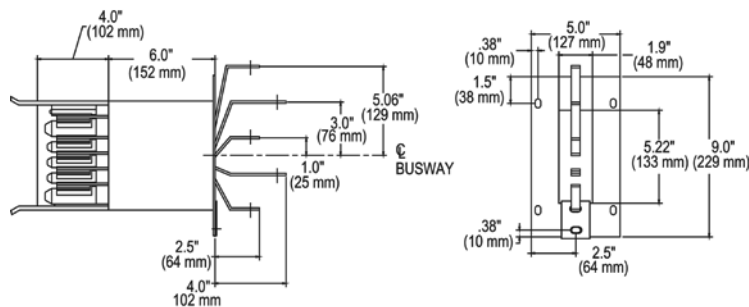
Flanged ends are used to connect busway to switchboards. Flanged ends come complete with bus bar extensions to facilitate the making of electrical connections.



Flanged end

Ampere Rating	Poles	Catalog Number	Model Number ^①
100	3	XC1003FE	BWJFENN11GS
100	4	XC1004FE	BWJFENN15GS
225	3	X2003FE	BWJFENN21GS
225	4	X2004FE	BWJFENN25GS
400	3	X4003FE	BWJFENN41GS
400	4	X4004FE	BWJFENN45GS

① Model Numbers Effective Aug 2011



XJ-L™ HD Busway Systems

Accessories

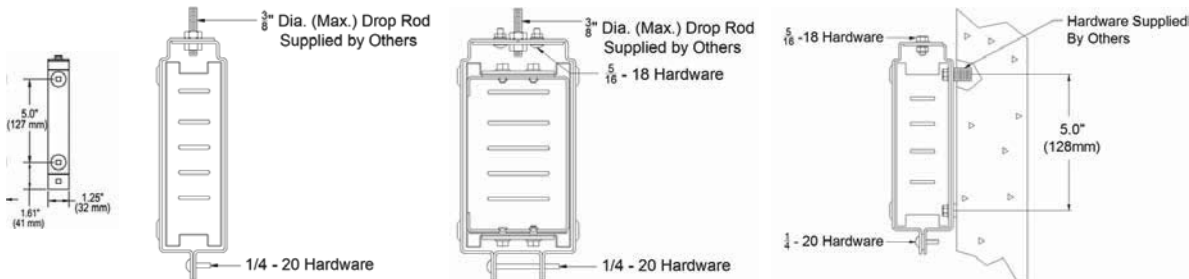
Busway hanger

XH2 and XH3 hangers are used to support XJ-L HD Busway and can be used with customer supplied rods up to 3/8 inch in diameter. Hangers are adaptable for wall mounting or ceiling suspension arrangements, either edge or flat. Custom mounting solutions available upon request.

Busway Hanger

Ampere Rating	Catalog Number	Model Number ^①	Dimm A in. (mm)
100	XH2	BWJH0011G	2.25 (57)
225	XH2	BWJH0012G	2.75 (69)
400	XH3	BWJH0014G	4 (101)

Tip: Bus plug access may be restricted by hangers or drop rods. This should be considered in the system layout.



Hangers

Prefix	Type	Fitting Type			Amp	Color
BW	J	H	0	0	1	G
XJ-L HD	Hanger				1 = 100 2 = 225 4 = 400	A = Graphite G = ANSI 61 X = Other

001 = Single Drop Rod (XH style)
002 = Side Mount for strut channel^①
003 = Saddle Mount for strut channel^①
004 = Pole Mount^①
005 = Dual Drop Rod Saddle^①
006 = Dual/Single Drop Rod Frame
XXX = Other^①

Notes:
^① MTO-E Custom Product



End closer

An end closer is used to terminate busway runs. To extend the run, simply remove the end closer and add new sections as needed.



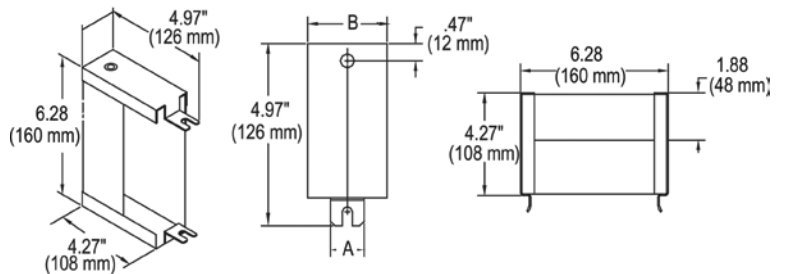
End Closer

Prefix	Type	Fitting Type			Amp	Color
BW	J	X	E	N	1	G
XJ-L HD	End Closer		E	N	1 = 100 2 = 225 4 = 400	A = Graphite G = ANSI 61 X = Other

End Closer

Ampere Rating	Catalog Number	Model Number ^①	Dimm. A in (mm)	Dimm. B in (mm)
100	XE100	BWJXENN1G	2.06 (52)	0.94 (24)
225	XE200	BWJXENN2G	2.31 (59)	1.44 (37)
400	XE400	BWJXENN4G	3.44 (87)	2.5 (64)

Tip: Utilization of the busway plug-in opening adjacent to the End Closer may be limited to XQ45 bus plugs. This applies only if the End Closer is located to the Right-hand of the bus plug.



XOC outlet covers

Optional outlet covers are available for closing off the plug-in outlets when desired.

Outlet Cover

Ampere Rating	Catalog Number	Model Number ^①
100	XOC	BWJXOCN1G
225	XOC	BWJXOCN2G
400	XOC	BWJXOCN4G



Outlet Cover

Prefix	Type	Fitting Type			Amp	Color	
BW	J	X	O	C	N	1	G
XJ-L HD	Plug-in Cover		O	C	N	1 = 100 2 = 225 4 = 400	A = Graphite G = ANSI 61 X = Other

© Model Numbers Effective Aug 2011

XJ-L™ HD Busway Systems

Bus Plugs / XJ-L HD Power Modules (XPMS)

Bus plugs for XJ-L Busway are available from 15A to 200A, with molded case circuit breakers or Vacu-Break fusible switches. All XJ-L bus plugs are fully interchangeable with all XJ-L Busway configurations.

Lightweight and portable, plugs can be installed or relocated as required **without de-energizing the busway**. Pre-engineered plug-in opening locations ensure no interference for **greater density** and maximum flexibility. This is especially important in high tech areas requiring frequent movement of equipment.

XJ-L HD Power Modules are available with 3, 6, or 12 branch circuit protection in both single and 3-phase configurations, ranging from 15 –200 amps for maximum power density and flexibility.

A wide variety of NEMA and IEC receptacles or cord connections are available for the XPM. Integral current monitoring and surge protection are available upon request.



Selection Guide

Enclosure Type	Plug-in Spacing	Breaker Type	Application
A = 3 Circuit - XQ Series	20.00 & 9.75	BQ, BQH, HBQ QP, QPH, HPQ	XQ style — No receptacle
B = 3 Circuit - XQR Series	20.00 & 9.75 ^②		XQR style — with duplex receptacle provision. May be used for custom receptacles or when additional wiring space is required
C = 3 Circuit HD XPM	20.00 & 9.75		Use for applications that require factory installed breakers and receptacles
E = 6 Circuit HD XPM	20.00 & 9.75	BL, BLH, HBL, BQD	Cover operable handle. Uses heavy duty E-Frame Breakers
F = 12 Circuit XPM ^{③④}	9.75 only ^{③④}		
G = XLEC	20.00 & 9.75 ^②	ED2,ED4,ED6	Uses heavy duty E-Frame breakers
H = XEC	20.00 & 9.75 ^②		Plug-in tap off device - lugs only
J = Plug-in Tap Box	20.00 ^⑤		na
K = XLVB Fusible	20.00 & 9.75 ^②	na	

Tip: Type C & E XPMS will install on all plug-in busway. Type F will not install on dual side plug-in busway.



Siemens XJ-L™ HD Bus Plugs and Power Modules

Use For Breaker Group = A, B, X^⑩

Prefix	Type	Enclosure	System Config.	Color	Breaker Group	Ampere Rating or Breaker/Receptacle Arrangement ^{⑦⑧⑨}	Custom Features
BP	J	H	6	A	A	E D 4 6 0	N N
Bus Plug XJ-L HD		A = 3 Circuit – XQ Series No Receptacle B = 3 Circuit – XQR Series Receptacle Provision C = 3 Circuit HD XPM E = 6 Circuit HD XPM F = 12 Circuit XPM ^③ G = XLEC ^{②③④} H = XEC ^{③⑤} J = Plug-in Tap Box ^{④⑤⑥} K = XLVB Fusible ^{⑤⑥⑦}	1 = 3Ø 2 = 3Ø + Internal Grd 3 = 3Ø + Isolated Grd 4 = 3Ø + Internal Grd + Isolated Grd 5 = 3Ø + Neutral 6 = 3Ø + Neutral + Internal Grd 7 = 3Ø + Neutral + Isolated Grd 8 = 3Ø + Neutral + Internal Grd + Isolated Grd 9 = 3Ø + 200% Neutral 0 = 3Ø + 200% Neutral + Internal Ground	A = Graphite G = ANSI 61 X = Other	A = Non-Mixed Factory Installed Breakers ^① B = Mixed Factory Installed Breakers E = Enclosure Only (no Breaker) ^{①⑩} X = Other / Fusible ^⑥	See Notes below for information	NN = None / NA XX = Other ^⑪

Notes:

- ① Use "A" or "E" for XLEC and XEC
- ② Available in System Configs: 1,2,5,6
- ③ Available in System Configs: 1,2,3,4,5,6,7,8,9
- ④ Available in System Configs: 1,2,5,6
- ⑤ Available in System Configs: 1,2,5,6
- ⑥ For non-breaker style plug use "X" for Breaker Grouping field. (Fusible & Plug-in Tap Box)
- ⑦ For Enclosure = C,E,F see Breaker / Receptacle Arrangement Schedule for Details
- ⑧ For XEC and XLEC Ampere Rating field use ED2xx, ED4xx,ED6xx where xx = 15 to 00 trip rating (100A max).
- ⑨ For XLVB Ampere Rating field use 02xxx for 240V & 06xxx for 600V where xxx = 030, 060, 100 ampere
- ⑩ For Plug-in Tap Box Ampere Rating field use PBxxx where xxx = 100, 200 ampere
- ⑪ Ampere Rating and Customer Features fields not required for Breaker Group = "E". Leave fields blank.
- ⑫ Custom metering available upon request.
- ⑬ Requires two plug-in openings for 9.75 spacing.
- ⑭ Installs on 9.75 single side plug-in spacing only.
- ⑮ 200A Tap Box installs on 20.0 dual side plug-in spacing only. Requires two plug-in openings.

XJ-L™ HD Busway Systems

Bus Plugs

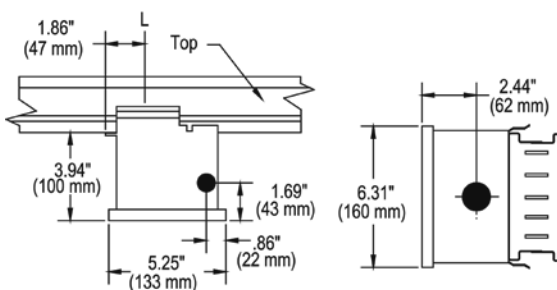
XQ and XQR Series

XQ and XQR bus plugs accept QP (plug-in) or BQ (bolt-on) circuit breakers. The plugs feature knockouts to facilitate quick installation. The XQR has added wiring space to allow receptacle installation.

XQ Series Bus plug (60A max)

Breaker Type	Volts	No. of Spaces	Catalog Number	Model Number ^①	Catalog Number	Model Number ^①
QP and BQ	120/240	3	XQ35	BPJA1GE	XQ45	BPJA5GE

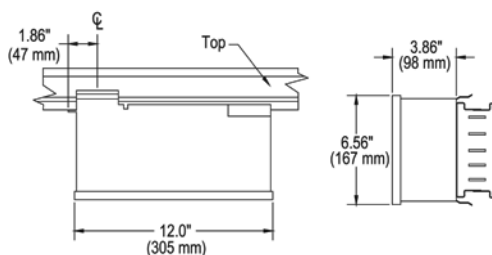
Enclosure Only



XQR Series Bus plug (60A max)

Breaker Type	Volts	No. of Spaces	Catalog Number	Model Number ^①	Catalog Number	Model Number ^①
QP and BQ	120/240	3	XQ35R	BPJB1GE	XQ45R	BPJB5GE

Enclosure Only



Accessories for XQ and XQR Series

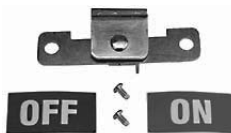
XEQH	Floor Operating Handle (not for 1 pole or 2 pole breakers)
W62890	Bonded Ground Kit
W68101	Isolated Ground Kit



W68101



W62890



XEQH

© Model Numbers Effective Aug 2011

XJ-L™ HD Busway Systems

Bus Plugs

XEC Series

(Cover operable, 100A max)

XEC bus plugs accept ED2 and ED4 circuit breakers. The plugs feature a spacious chassis which allows room for wire bending and knockout provisions.

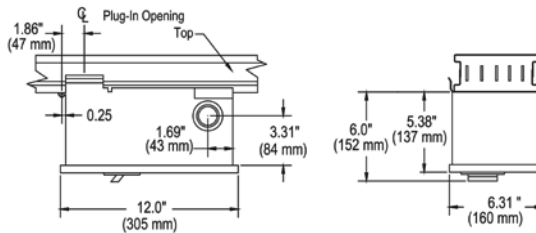
Isolated ground plugs are available from the factory.

XEC Series bus plug

Breaker Type	Volts	Ampere Rating	Catalog Number	Model Number ^①	Catalog Number	Model Number ^①
ED2	240	100	XEC3100-Spec	BPJH1GAED200NN	XEC4100-Spec	BPJH5GAED200NN
ED4	480	30	XEC3100-Spec	BPJH1GAED430NN	XEC4100-Spec	BPJH5GAED430NN
ED6	600	60	XEC3100-Spec	BPJH1GAED660NN	XEC4100-Spec	BPJH5GAED660NN
Enclosure Only	600 Max	15-100	XEC3100	BPJH1GE	XEC4100	BPJH5GE



W62890
bonded
ground kit



XLEC Series

(Floor operable, 100A max)

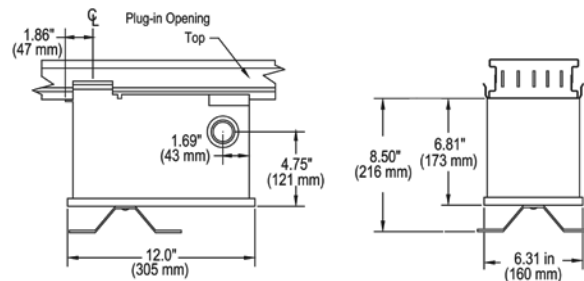
XLEC bus plugs accept ED2, ED4 and ED6 circuit breakers. The plugs feature a spacious chassis which allows room for wire bending and knockout provisions.

These plugs may be operated from the floor with a pull chain or hookstick.

XLEC Series bus plug

Breaker Type	Volts	Ampere Rating	Catalog Number	Model Number ^①	Catalog Number	Model Number ^①
ED2	240	100	XLEC3100-Spec	BPJG1GAED200NN	XLEC4100-Spec	BPJG5GAED200NN
ED4	480	30	XLEC3100-Spec	BPJG1GAED430NN	XLEC4100-Spec	BPJG5GAED430NN
ED6	600	60	XLEC3100-Spec	BPJG1GAED660NN	XLEC4100-Spec	BPJG5GAED660NN
Enclosure Only	600 Max	15-100	XLEC3100	BPJG1GE	XLEC4100	BPJG5GE

Additional add-on features, such as shunt trips, alarm switches, and auxillary contacts are also available for XEC and XLEC bus plugs.



^① Model Numbers Effective Aug 2011

XJ-L™ HD Busway Systems

Bus Plugs

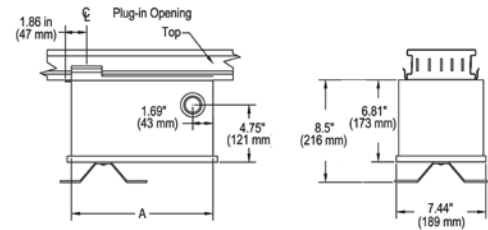
XLVB Series

(Floor operable, 100A max)
 XLVB fusible bus plugs utilize the Vacu-Break switching principle, which minimizes arcing and reduces maintenance costs. The Vacu-Break bus plugs are quick-make and quick-break, cover interlocked, horsepower rated, and may be operated from the floor with a pull chain or hookstick.



XLVB Series bus plug

Volts	Ampere Rating	Catalog Number	Model Number ^①	Catalog Number	Model Number ^①
240	30	XLVB321	BPJK1GX02030NN	XLVB421N	BPJK5GX02030NN
240	60	XLVB322	BPJK1GX02060NN	XLVB422N	BPJK5GX02060NN
240	100	XLVB323	BPJK1GX02100NN	XLVB423N	BPJK5GX02100NN
600	30	XLVB351	BPJK1GX06030NN	XLVB451N	BPJK5GX06030NN
600	60	XLVB352	BPJK1GX06060NN	XLVB452N	BPJK5GX06060NN
600	100	XLVB353	BPJK1GX06100NN	XLVB453N	BPJK5GX06100NN

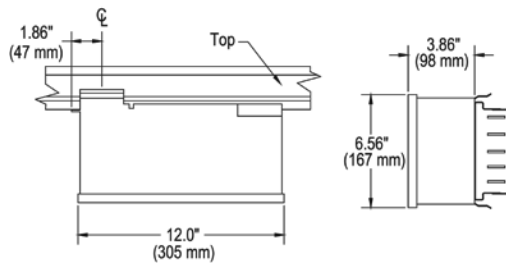


W47185
 ON/OFF labels



100A Plug-in tap box

Plug-in cable tap boxes are non-fusible devices used for end or center feed. The 100A tap boxes can be attached at any plug-in opening.



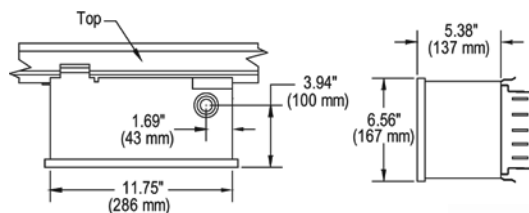
100A Plug-in Tap Box

Ampere Rating	Poles	Catalog Number	Model Number ^①
100	3	X103PB	BWJJ1GXPB100NN
100	4	X104PB	BWJJ5GXPB100NN

Note: Add suffix letter "G" to catalog number for ground bus.

200A Plug-in tap box

Plug-in cable tap boxes are non-fusible devices used for end or center feed. The 200A tap box requires two adjacent openings.



200A Plug-in Tap Box

Ampere Rating	Poles	Catalog Number	Model Number ^①
200	3	X2003PB	BWJJ1GXPB200NN
200	4	X2004PB	BWJJ5GXPB200NN

Note: Add suffix letter "G" to catalog number for ground bus.



① Model Numbers Effective Aug 2011