

A

B

C

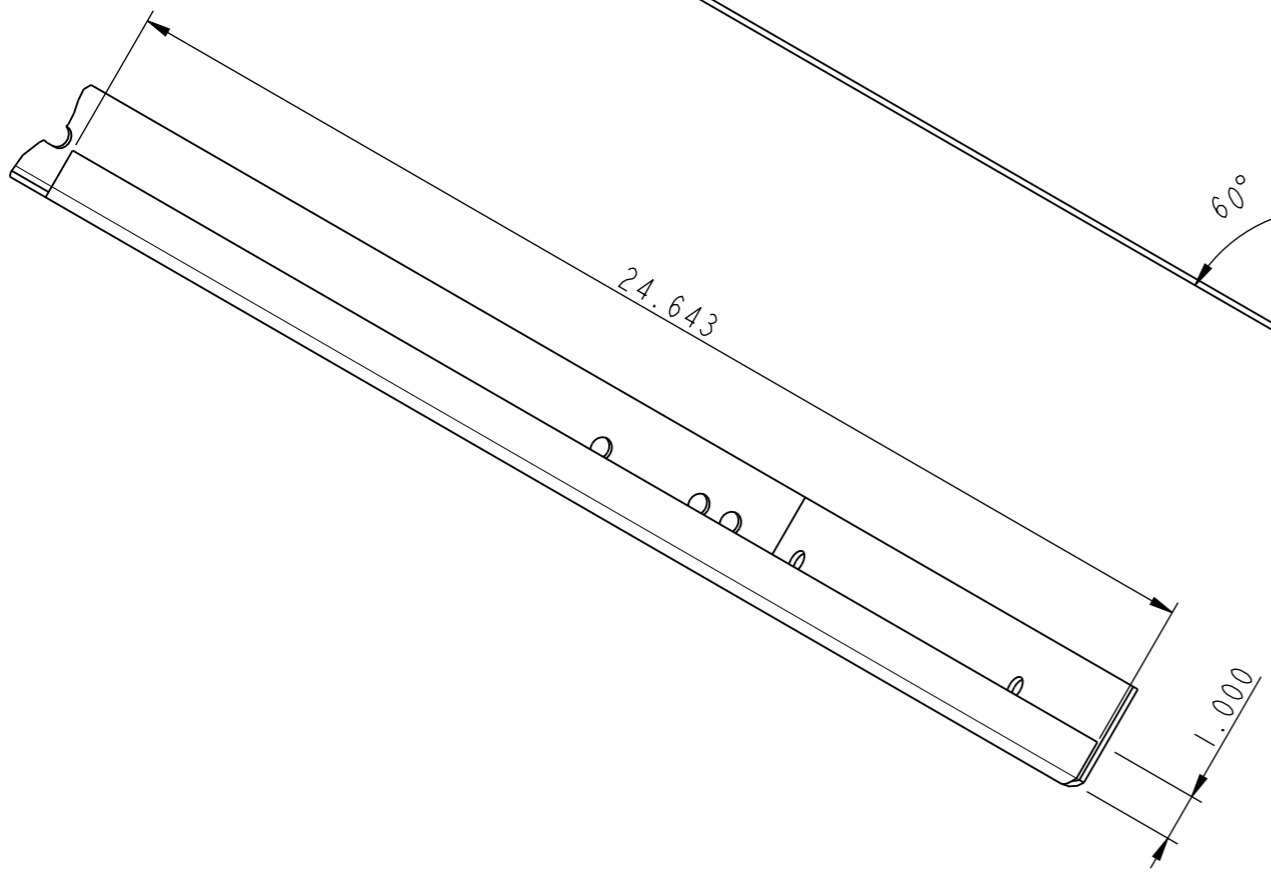
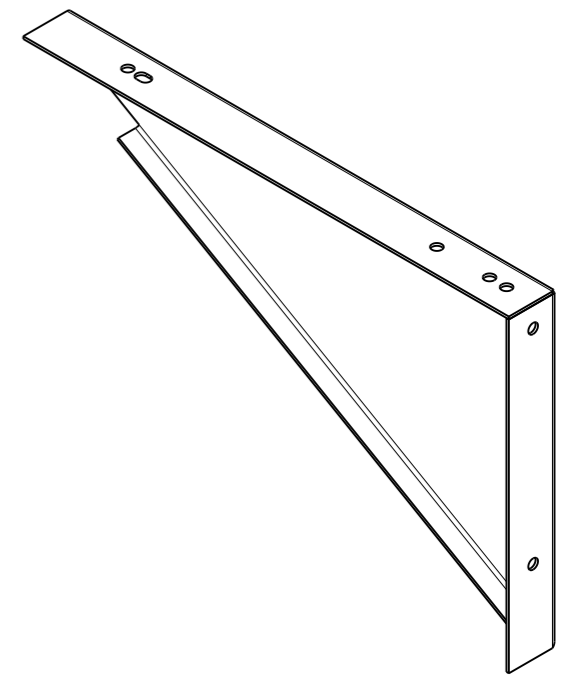
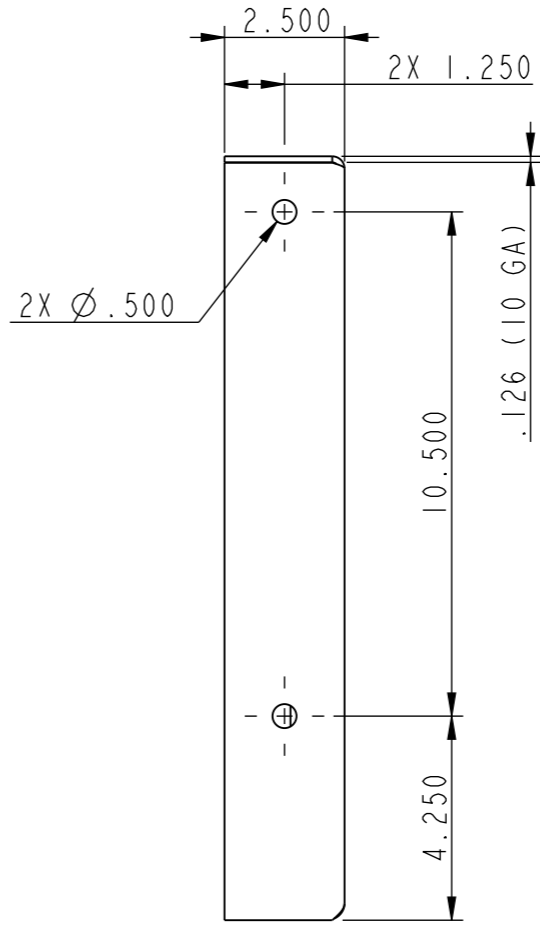
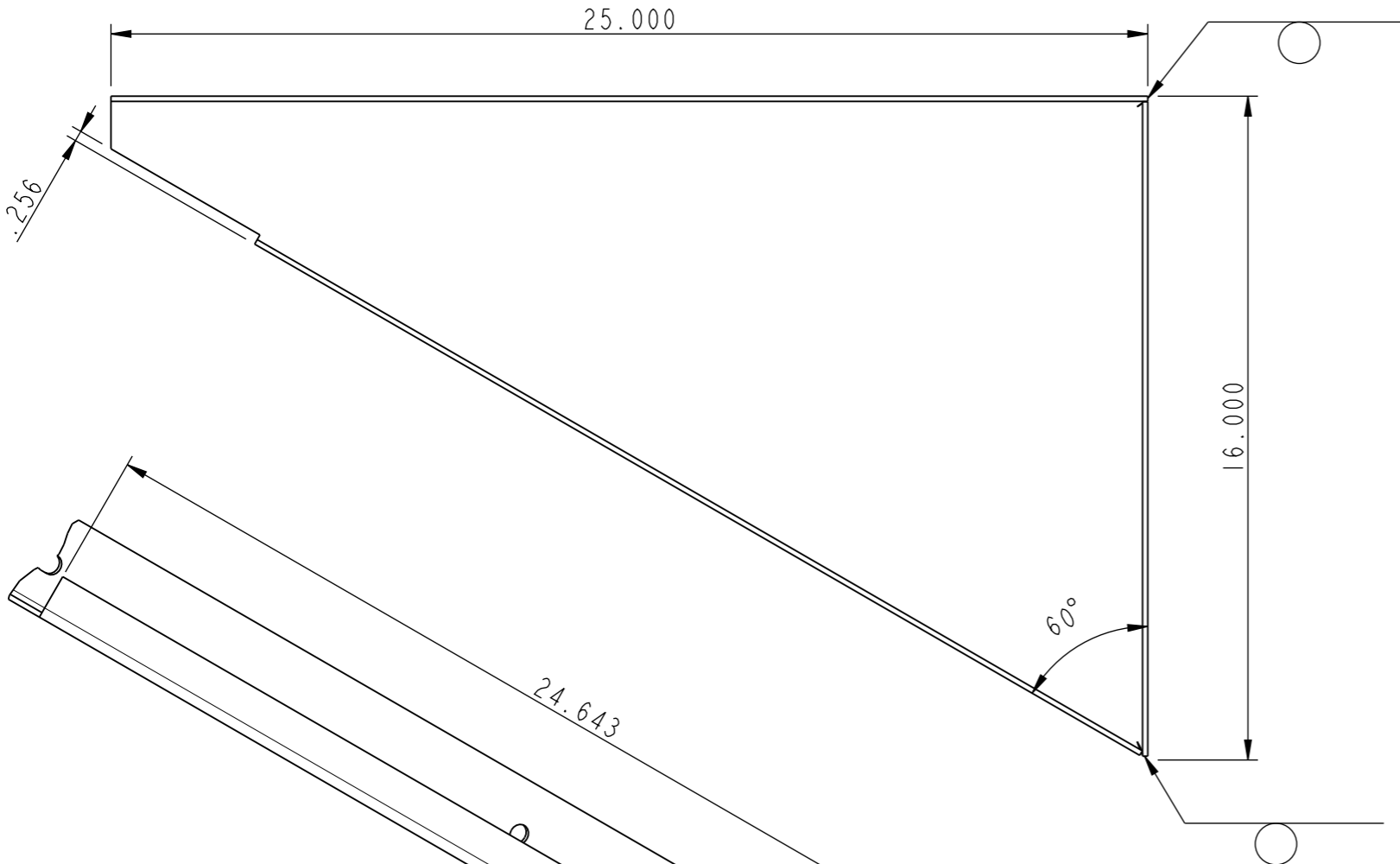
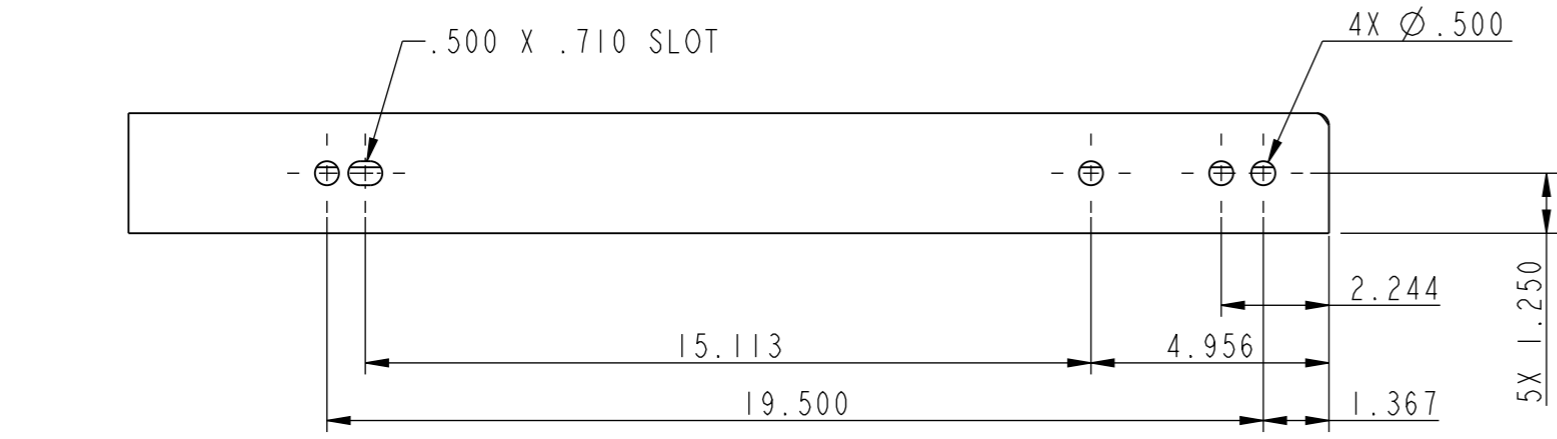
D


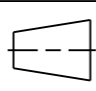

A

B

C

D



Part range or family NA_TRANSFORMERS2	Part designed by:	Part approved by:	Validation Date:	Part Application note:
Material 1:				Mass: 5048.468
Material 2:				Volume:
Material 3:				687.564
Treatment 1:				Total Surface:
Treatment 2:				4373.876
 	Scale: 0.250	Technical Specification:		Units of measure : mm gr CM2 CM3
		WALL BRKT 20K LEFT WALL BRKT 20K LEFT		
Document Number: NHA6547402			Doc. Rev. 03	Sheet: 1 / 1

The information is highly confidential and is the exclusive property of Schneider Electric copyright reserved. This drawing must not be used for any purpose other than that expressly permitted in writing by the owners and must not be disclosed or reproduced in any way without permission from the owners in writing. This drawing must be returned to the owners when the purpose has ceased.

State: Released for Manufacturing
Printed on 2016/11/22

A

B

C

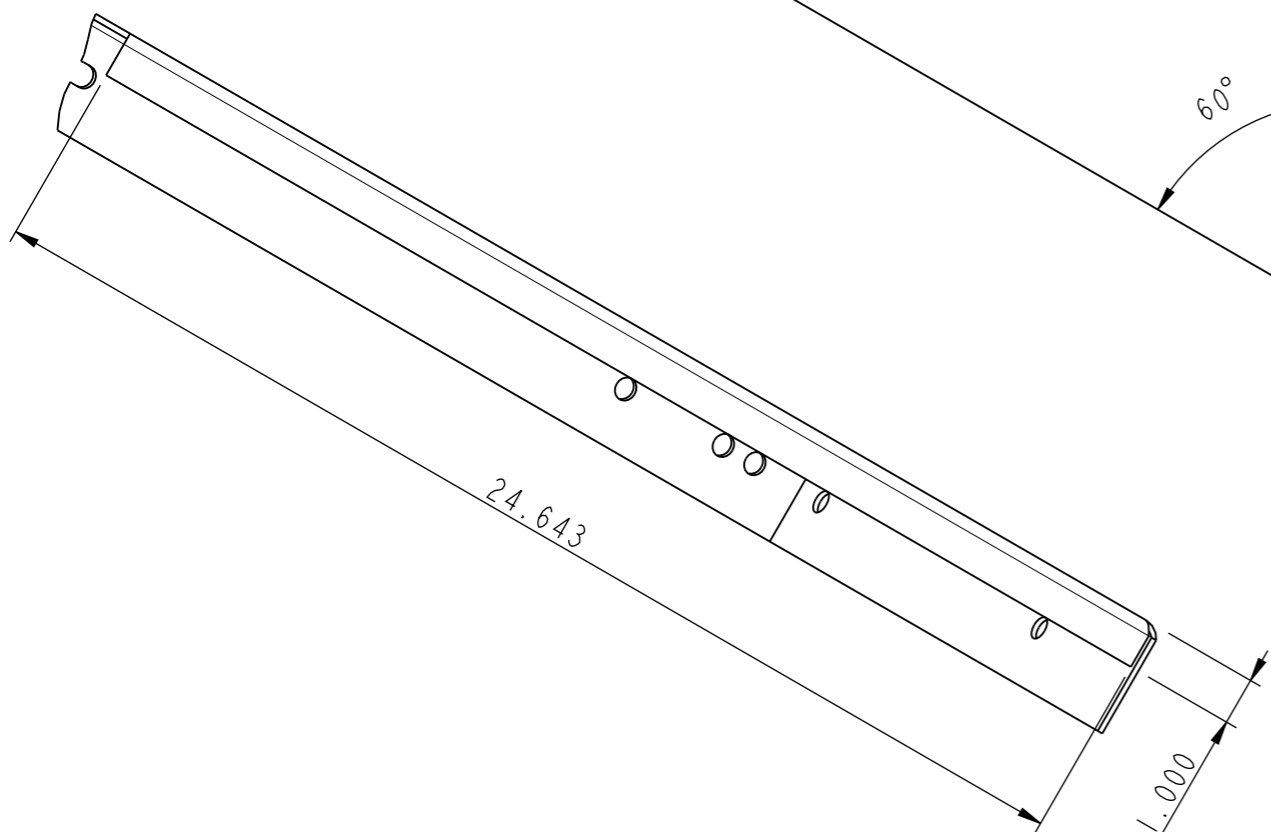
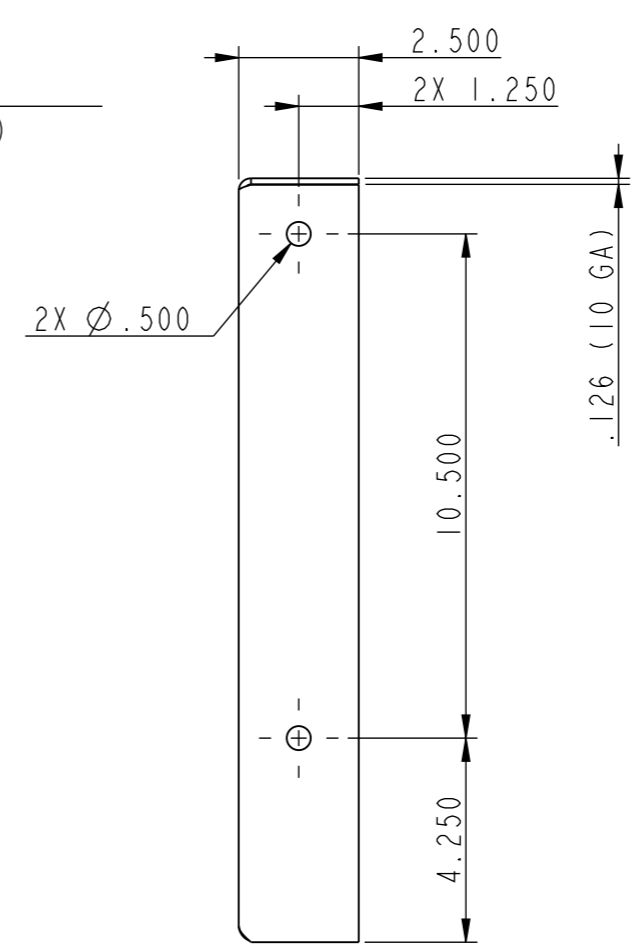
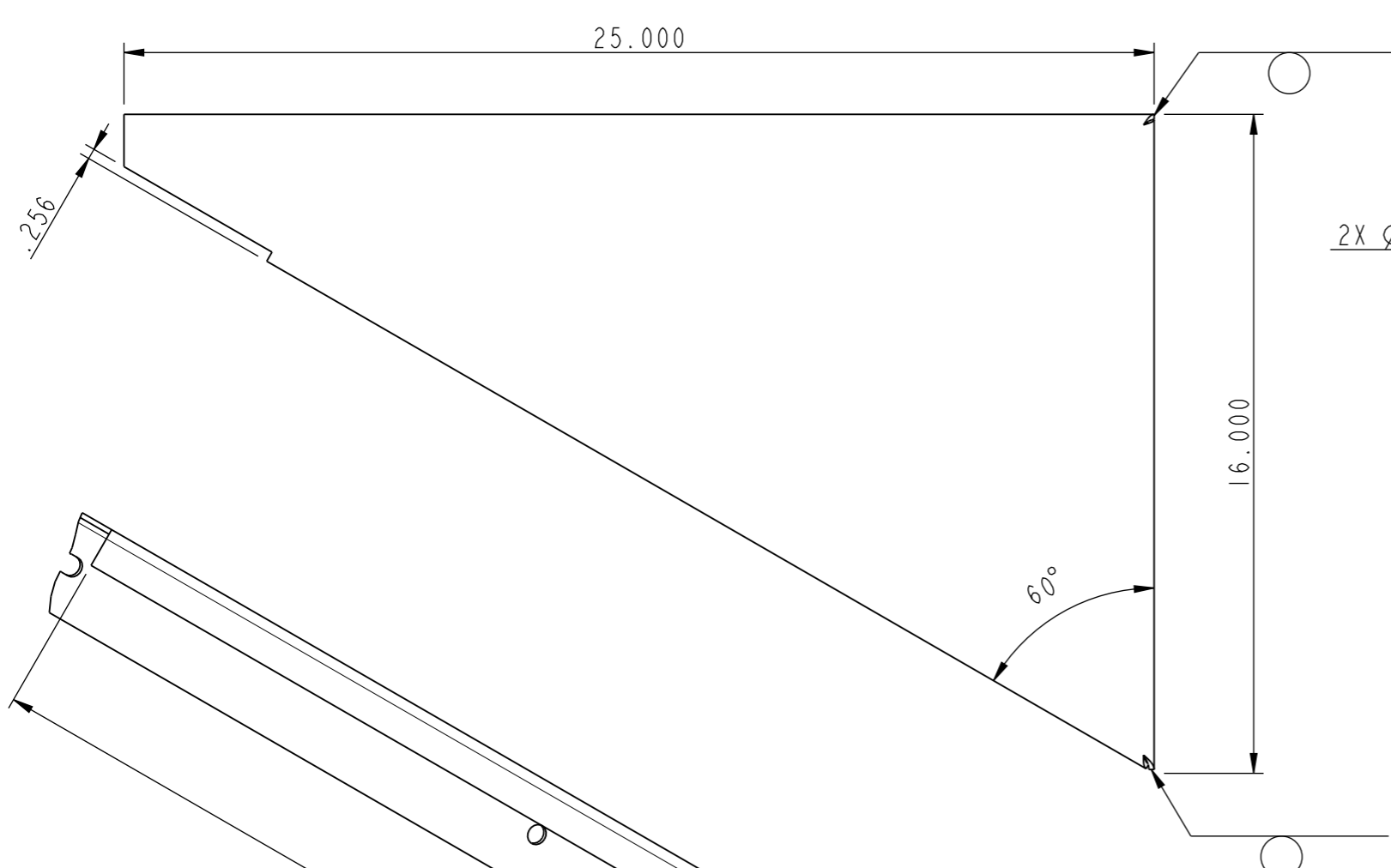
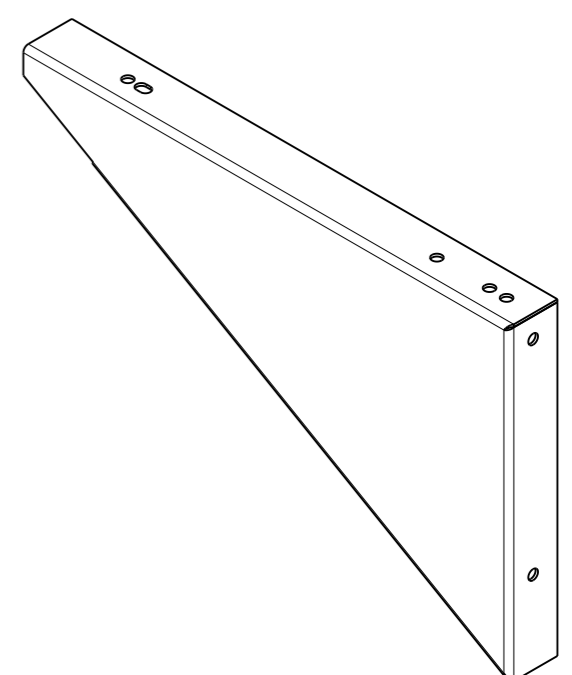
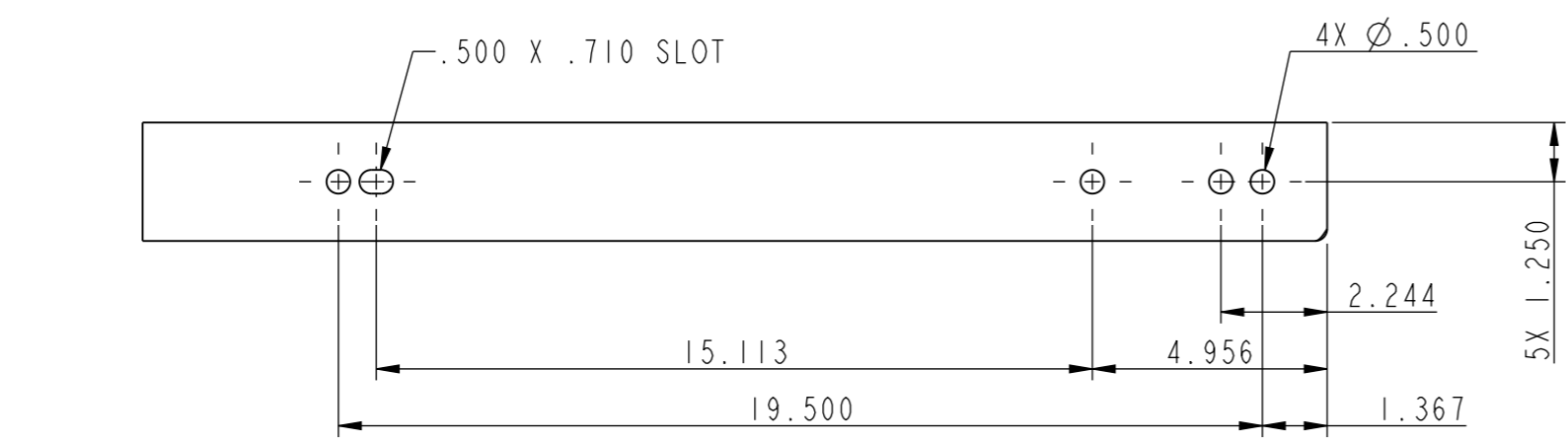
D


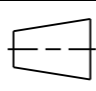

A

B

C

D



Part range or family NA_TRANSFORMERS2	Part designed by:	Part approved by:	Validation Date:	Part Application note:
Material 1:				Mass: 5048.468
Material 2:				Volume:
Material 3:				681.153
Treatment 1:				Total Surface:
Treatment 2:				4333.606
 	Scale: 0.250	Technical Specification:		Units of measure : mm gr CM2 CM3
		WALL BRKT 20K RIGHT		
		WALL BRKT 20K RIGHT		
Document Number:			NHA6514402	Doc. Rev. Sheet: 03 1/1

The information is highly confidential and is the exclusive property of Schneider Electric copyright reserved. This drawing must not be used for any purpose other than that expressly permitted in writing by the owners and must not be disclosed or reproduced in any way without permission from the owners in writing. This drawing must be returned to the owners when the purpose has ceased.

State: Released for Manufacturing
Printed on 2016/11/22