

| |
|----------------|
| Catalog Number |
| Notes |
| Type |

FEATURES & SPECIFICATIONS

INTENDED USE — Inspired by classic fluorescent strip channels, this LED fixture offers a traditional appearance that incorporates the latest technology. Available in several lengths and lumen packages. Ideal for use in commercial, retail, office, warehouse and display applications. **Certain airborne contaminants can diminish the integrity of acrylic and/or polycarbonate.** [Click here for Acrylic-Polycarbonate Compatibility table for suitable uses.](#)

CONSTRUCTION — Compact-design channel and cover are formed from code-gauge cold-rolled steel. Easy to install row aligner included with 2LL versions for continuous row mounting. High-gloss, baked white enamel finish (standard).

OPTICS — LEDs provided 80+ color rendering index (CRI) at 4000K. Diffuse polycarbonate lens provides smooth, linear illumination which is designed to resemble the classic look of traditional fluorescent tubes.

ELECTRICAL — The fixture is tested to withstand a maximum line surge of 2.5kV/.2kA ring wave for indoor locations. For applications requiring higher level of protection, additional surge protection must be provided. Fixture features a non-dimming driver.

INSTALLATION — Fixture may be surface or suspension mounted with appropriate mounting options (see accessories). Aligner locks in place for easy continuous row mounting.

LISTINGS — CSA certified to US and Canadian safety standards and listed suitable for damp locations. Minimum starting temperature at -40 °F (-40 °C). Maximum ambient operating temperature of 95 °F (35 °C) for 4' and 8' models. Maximum ambient operating temperature of 104 °F (40 °C) for 2' models. Lighting facts listed.

WARRANTY — 5-year limited warranty. Complete warranty terms located at: www.acuitybrands.com/CustomerResources/Terms_and_conditions.aspx

NOTE: Actual performance may differ as a result of end-user environment and application.

All values are design or typical values, measured under laboratory conditions at 25 °C.

Specifications subject to change without notice.



MNSL

LED Striplight



ORDERING INFORMATION

Lead times will vary depending on options selected. Consult with your sales representative.

| Catalog number | Description | Lumens | Wattage | Voltage | Driver | Color Temperature | Color Rendering Index | Pallet Quantity |
|-------------------------------------|----------------------------------|--------|---------|------------------|----------------------------|-------------------|-----------------------|-----------------|
| MNSL L23 1LL 120V GZN 40K 80CRI M6 | 2' 1-Light 120V LED Strip Light | 1150 | 12 | 120V | Generic non-dimming driver | 40K 4000K | 80CRI 80 CRI | 576 |
| MNSL L46 1LL MVOLT GZN 40K 80CRI M6 | 4' 1-Light MVOLT LED Strip Light | 2300 | 25 | MVOLT (120-277V) | Generic non-dimming driver | 40K 4000K | 80CRI 80 CRI | 288 |
| MNSL L48 2LL MVOLT GZN 40K 80CRI M6 | 4' 2-Light MVOLT LED Strip Light | 4500 | 50 | MVOLT (120-277V) | Generic non-dimming driver | 40K 4000K | 80CRI 80 CRI | 168 |
| MNSL L96 2LL MVOLT GZN 40K 80CRI | 8' 2-Light MVOLT LED Strip Light | 8200 | 90 | MVOLT (120-277V) | Generic non-dimming driver | 40K 4000K | 80CRI 80 CRI | 252 |

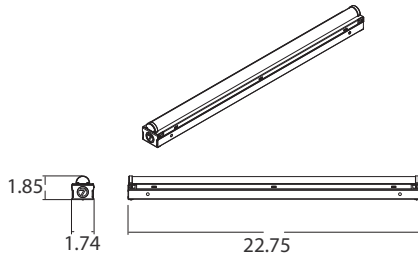
Accessories: Order as separate catalog number.

| | |
|-------|--|
| HC36 | Chain hanger and jack chain, 36" (pair) |
| ZACVH | Aircraft cable 10' (one pair) |
| SQ | Swivel-stem hanger (specify length in 2" increments) |

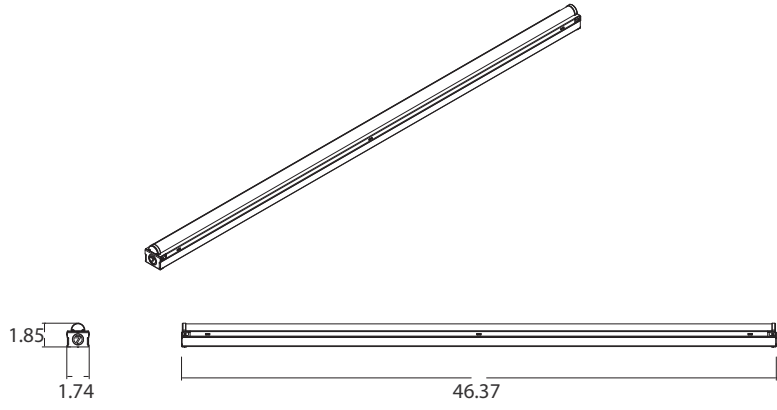
MNSL LED Striplight

DIMENSIONS

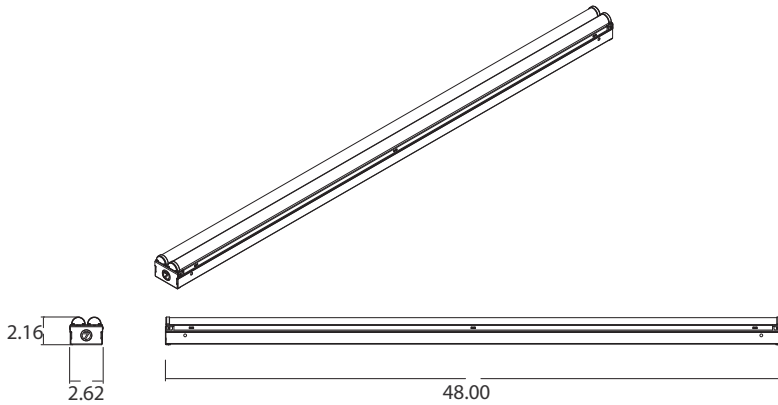
All dimensions are inches (centimeters) unless otherwise indicated.



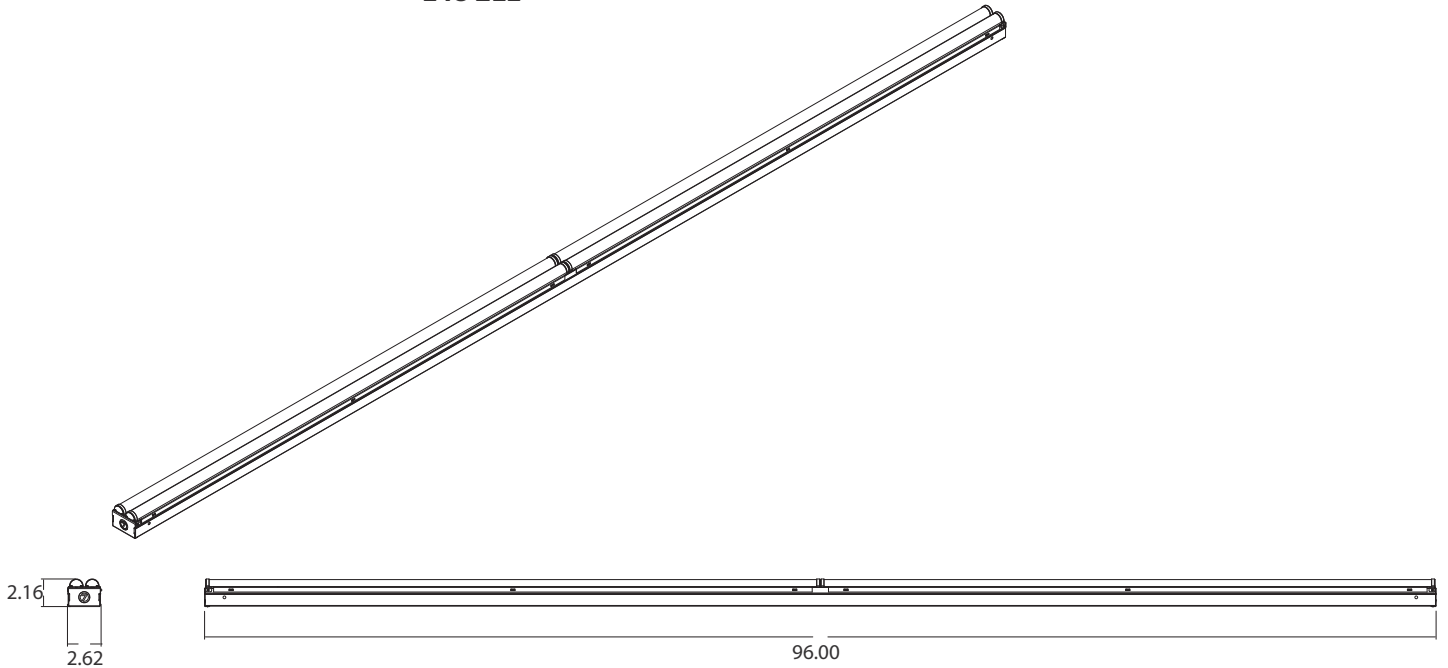
L23 1LL



L46 1LL



L48 2LL



L96 2LL

PHOTOMETRICS

See www.lithonia.com.